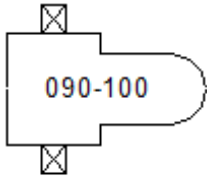
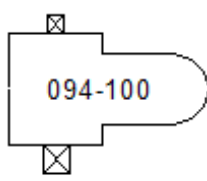
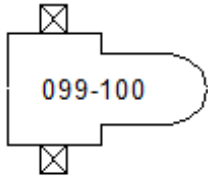
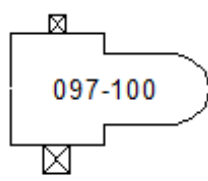
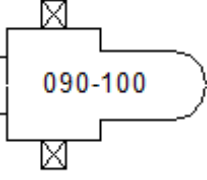
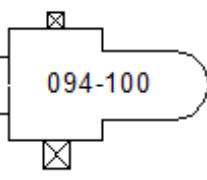
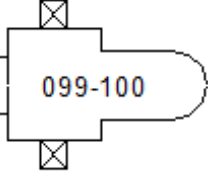
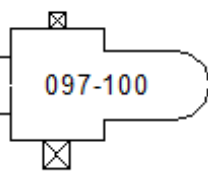
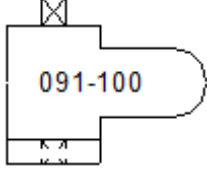
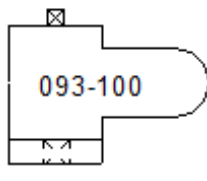
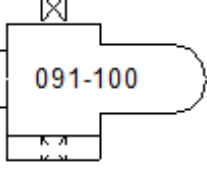
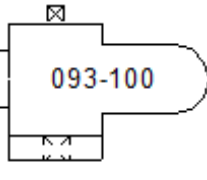
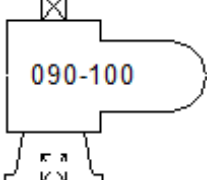
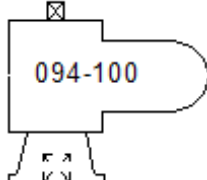
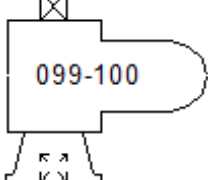
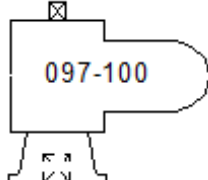
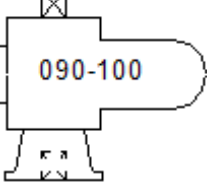
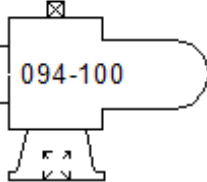
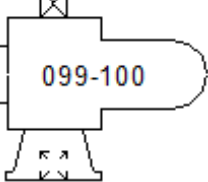


ACTUATOR AND SPRING OPTION CHART

<p style="text-align: center;">090-120 090-020* 090-100</p>	<p style="text-align: center;">094-120 094-100 094-020*</p>	<p style="text-align: center;">099-120 099-020* 099-100</p>	<p style="text-align: center;">097-120 097-100 097-020*</p>
<p style="text-align: center;">095-120 090-020* 090-100 SP639</p>	<p style="text-align: center;">09B-120 094-100 094-020* SP639</p>	<p style="text-align: center;">096-120 099-020* 099-100 ASP639</p>	<p style="text-align: center;">09C-120 097-100 097-020* ASP639</p>
<p style="text-align: center;">091-120 090-020* 091-100</p>	<p style="text-align: center;">093-120 093-020* 091-100</p>	<p>SPRING RETURN ACTUATOR CODING FOR MODEL 09.</p> <p>OTHER MODEL SIZES USE SAME CODING ARRANGEMENT REPLACING THE '09' WITH REQUIRED MODEL SIZE.</p>	
<p style="text-align: center;">092-120 090-020* 091-100 SP639</p>	<p style="text-align: center;">09A-120 093-020* 091-100 SP639</p>	<p>NOTE: NOT ALL SPRING RETURN MODELS ARE AVAILABLE IN ALL COMBINATIONS</p> <p>FOR SERRATED SPRING RETURNS, 'F' IS REPLACED BY 'S' IN CODE</p>	
<p style="text-align: center;">091F120 090-100 090F020*</p>	<p style="text-align: center;">093F120 094-100 093F020*</p>	<p style="text-align: center;">099F120 099-100 099F020*</p>	<p style="text-align: center;">097F120 097-100 097F020*</p>
<p style="text-align: center;">092F120 090-100 091F020* SP639</p>	<p style="text-align: center;">09AF120 094-100 093F020* SP639</p>	<p style="text-align: center;">096F120 099-100 091F020* ASP639</p>	<p style="text-align: center;">09CF120 097-100 097F020* ASP639</p>

ACTUATOR AND SPRING OPTION CHART

<p>090-100</p> 	<p>094-100</p> 	<p>099-100</p> 	<p>097-100</p> 
<p>095-100</p> 	<p>09B-100</p> 	<p>096-100</p> 	<p>09C-100</p> 
<p>091-100</p> 	<p>093-100</p> 	<p>ACTUATOR CODING FOR MODEL 09.</p> <p>OTHER MODEL SIZES USE SAME CODING ARRANGEMENT REPLACING THE '09' WITH REQUIRED MODEL SIZE.</p> <p>NOTE: NOT ALL ACTUATOR MODELS ARE AVAILABLE IN ALL COMBINATIONS</p>	
<p>092-100</p> 	<p>09A-100</p> 		
<p>091F 100</p> 	<p>093F 100</p> 	<p>099F 100</p> 	<p>097F 100</p> 
<p>092F 100</p> 	<p>09AF 100</p> 	<p>096F 100</p> 	<p>09CF 100</p> 