



# DISCRETE AP / EL / ULS / XLS MOUNTING METHOD

Actuators from model 16 to 30 come with an accessory drive slot as shown in fig.1.

The accessory has a stainless steel expanding coupling (SP1601) with a male square which engages in the slot (except the ULS, where the drive square is integral with the ULS coupling).

Mounting brackets are available. The accessory mount pattern of the bracket is common for AP, EL, ULS & XLS, but the bracket height is specific to the model of actuator - see table on page 2.

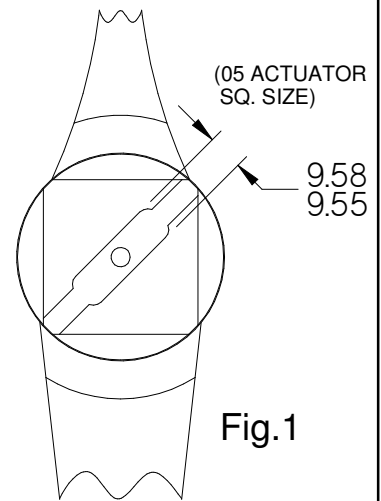


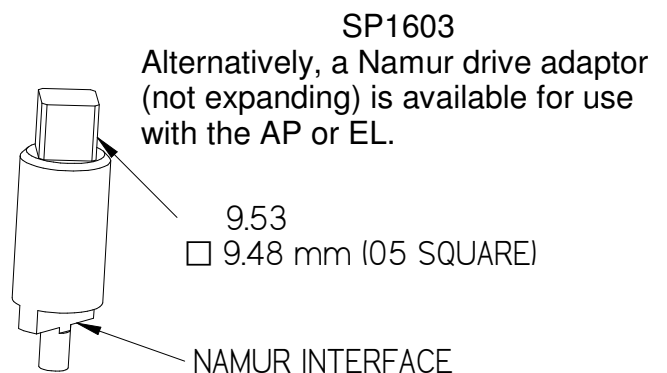
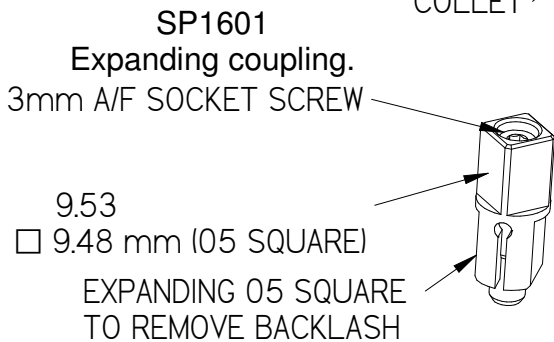
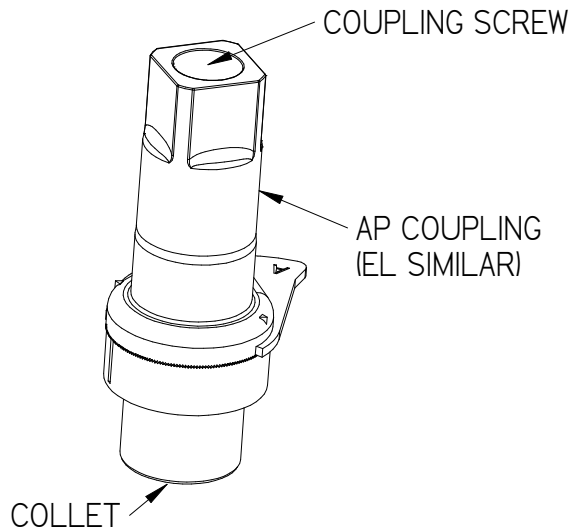
Fig.1

### Installation process - AP and EL:

- Ensure coupling screw is loose AP / EL, so that collet is unclamped.
- Mount bracket on to AP / EL.
- Insert expanding coupling into actuator vane slot, tighten to 4.5 Nm (40 lb-in.).
- Place AP / EL & bracket on to actuator so that collet engages with expanding coupling, and insert actuator screws to align.
- Tighten coupling screw - EL to 0.8 Nm (7 lb-in) / AP to 1.8 Nm (16 lb-in).
- Tighten actuator screws.

### Installation process - ULS and XLS:

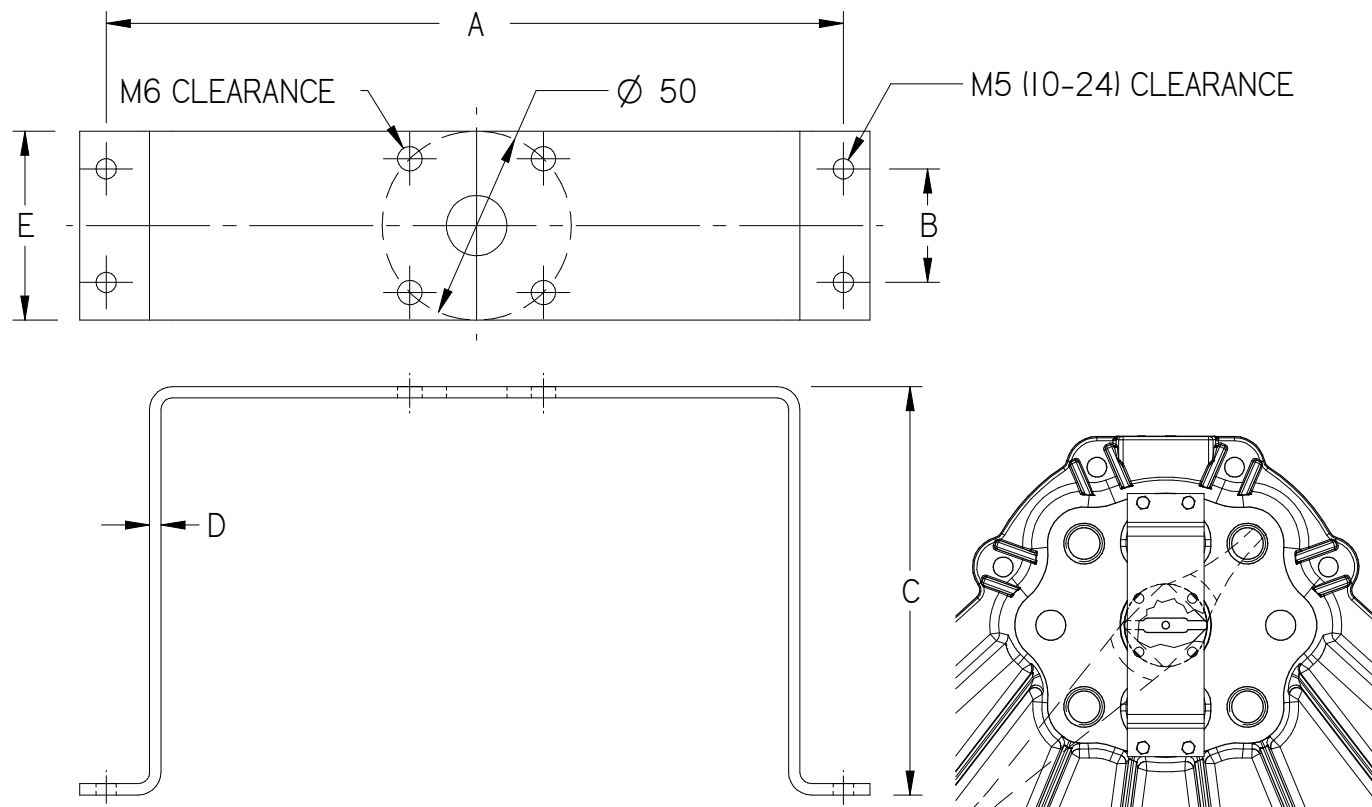
- Mount bracket on to ULS / XLS.
- XLS ONLY: Insert expanding coupling into actuator vane slot, tighten to 4.5 Nm (40 lb-in.).
- Place ULS / XLS & bracket on to actuator so that ULS coupling engages directly into actuator slot, or XLS coupling engages with expanding coupling, and insert actuator screws to align.
- Tighten actuator screws.





# DISCRETE AP / EL / ULS / XLS MOUNTING METHOD

## AP / EL / ULS / XLS DISCRETE MOUNTING BRACKET - KINETROL SQUARE ADAPTOR



ACTUATOR SIZE	ORDER NUMBER	A		B		C		D		E		FORM
		mm	inch	mm	inch	mm	inch	mm	inch	mm	inch	
16	SP389	162	6.38	30	1.18	63	2.48	3	0.12	51	2.00	
18	SP329	195	7.68	30	1.18	87	3.43	3	0.12	51	2.00	
20	SP400	195	7.68	30	1.18	109	4.29	3	0.12	51	2.00	
30	SP400	195	7.68	30	1.18	109	4.29	3	0.12	51	2.00	

SP PACKS INCLUDE: BRACKET, 4 x M6 BOLTS, 4 x M5 BOLTS  
 ASP PACKS INCLUDE: BRACKET, 4 x M6 BOLTS, 4 x 10-24 BOLTS