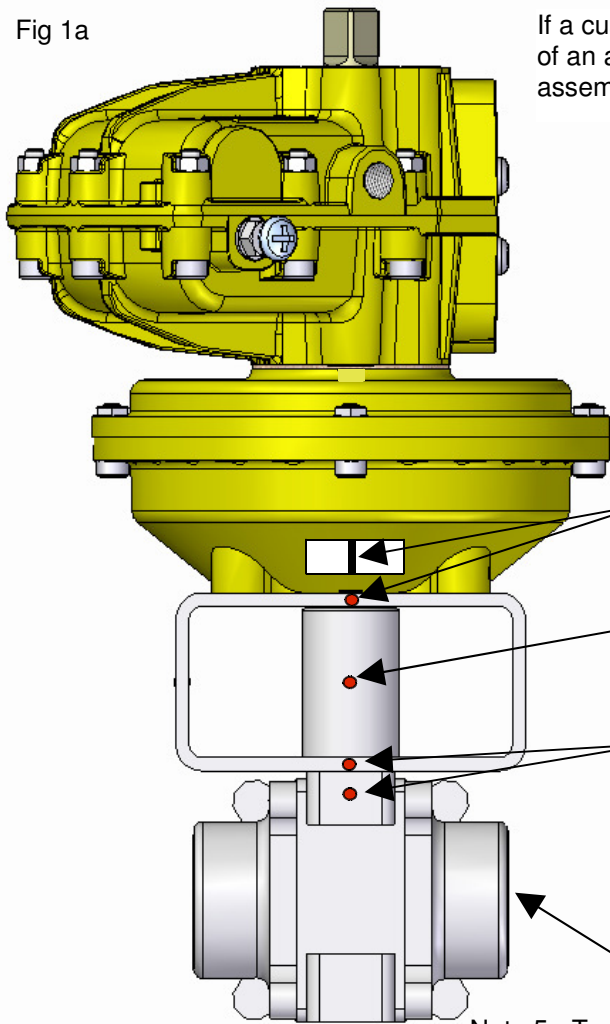


Title: Position Indication Marking of Actuated Valve Assemblies to Prevent Risk

Fig 1a



If a customer specifies that incorrect assembly or reassembly of an actuated valve package could give rise to a risk, the assembly will be marked as follows:

Fig 1a represents a typical assembly in which a series of markings indicates where the assembly should be in its de-energised state.

Note 1 - Fig 1a shows the actuator orientated in line with the pipeline axis and the profile of the hollow bracket orientated across the pipeline axis. This is not always the case, (see Fig 1b) it is **IMPORTANT** that the actuator, bracket and valve are orientated as shown in the relevant factory assembly drawing, or the customer drawing for a particular package.

Note 2 – Label showing black line on actuator or spring housing is always in line with centre punch mark painted red on end of bracket.

Note 3 – Centre punch mark painted red on nominal centre line of coupling is visible in de-energised state.

Note 4 - Centre punch mark painted red on valve body always in line with Centre punch mark painted red on end of bracket.

Note 5 - Two valve and bracket orientations are possible. (See Note 1.)

Note 6 – Do NOT operate if any position indication marks are unclear or missing.

Note 7 – Ensure all orientation marks are aligned as shown in Fig 1a when assembly is de-energised.

Note 8 – If dismantling of assembly is necessary, e.g. for maintenance:
 a) Prior to dismantling, ensure all components are marked as shown in Fig 1a.
 b) immediately after dismantling, note the position of the actuator or spring output drive, and the valve stem. Mark components and/or record positions to ensure alignment is maintained on reassembly.
 c) repaint centre punch marks if necessary.

Note 9 - Failure to comply with notes 6, 7 & 8 may result in a safety hazard due to incorrect valve operation.

Note 10 - **IMPORTANT !** Centre punch marks painted red always on open end of bracket as shown in Fig 2a.

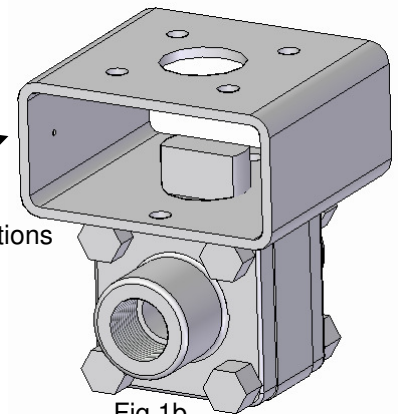


Fig 1b

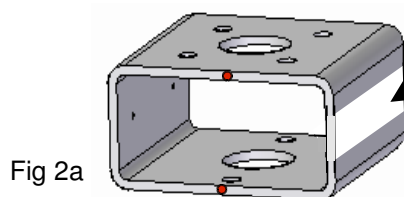


Fig 2a

Note 10 – Position information label on side of bracket

Issue B	Signed T.L.	Date 13/07/10	KINETROL Trading Estate Farnham Surrey England	Doc.No. TD164 Page 1 of 1
------------	----------------	------------------	---	------------------------------