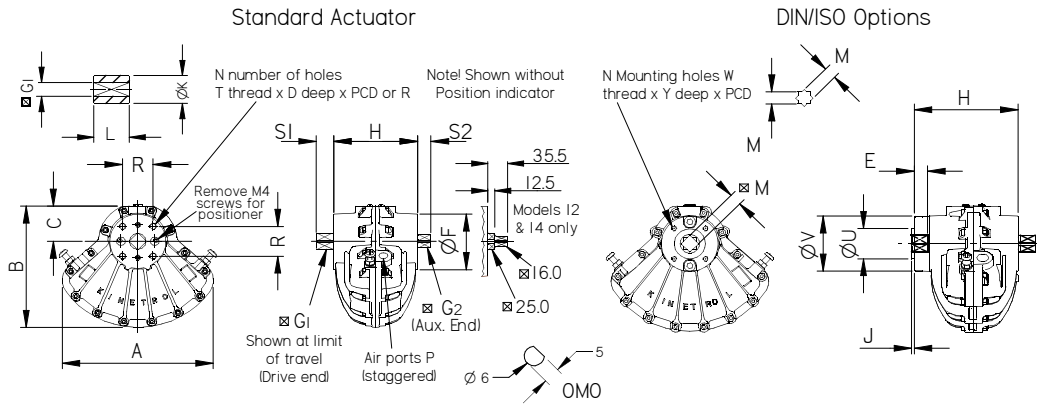




# DOUBLE ACTING ACTUATORS - DIMENSIONS



## Actuator Metric Units

Actuator Model	A mm	B mm	C mm	G1 mm	G2 mm	H mm	ØF mm	S1 mm	S2 mm	N No.	T ISO	D mm	R mm	PCD mm	P Port	ØK mm	L mm	Wt. kg.
OMO	32.0	30.7	12.5	SEE ABOVE	36.0	22.0	10.0	10.0	4	M3	5.0	-	16.0**	M5	-	-	0.12	
014	72.0	59.2	14.0	4.8	4.8	38.0	26.0	12.7*	7.0	4	M4	6.0	-	19.0**	G1/8	9.5	12.7	0.29
014P	73.5	60.0	14.0	4.8	4.8	38.0	26.0	12.7*	7.0	4	Ø4.2	UNIQUE MOUNTING CRS.		G1/8	9.5	12.7	0.35	
024	91.0	76.0	24.1	8.0	8.0	50.0	29.0	10.0	10.0	4	M4	8.0	18.0	25.5	G1/8	16.0	20.0	0.46
034	113.0	91.4	28.0	9.0	9.0	60.0	33.6	12.0	12.0	4	M5	10.0	22.0	31.1	G1/8	18.0	22.0	0.73
054	137.0	113.0	33.6	9.5	9.5	67.0	45.0	13.0	13.0	6	M5	10.0	-	34.9	G1/8	19.0	25.4	1.28
074	178.0	146.0	43.4	16.0	16.0	100.0	64.0	20.0	20.0	4	M8	16.0	36.0	50.9	G1/4	32.0	40.0	3.30
084	208.5	167.0	46.3	17.0	16.0	110.0	65.0	19.0	20.0	4	M8	16.0	49.5	70.0	G1/4	36.0	42.0	2.78
094	227.0	187.0	54.7	19.0	16.0	126.0	84.0	26.0	20.0	4	M10	20.0	46.0	65.0	G1/4	38.0	50.0	3.83
124	294.0	239.0	68.0	25.0	16.0	156.0	100.0	31.0	35.5	4	M12	24.0	55.0	77.8	G3/8	50.0	56.0	7.50
144	380.0	308.0	84.0	28.6	16.0	200.0	128.0	38.0	35.5	4	M16	28.5	69.9	98.8	G1/2	57.0	63.5	14.10
164	530.0	427.0	125.0	41.0	41.0	274.0	175.0	55.0	55.0	4	M24	38.0	108.0	152.7	G1/2	85.0	90.0	39.77
184	680.0	554.0	162.0	57.0	57.0	360.0	286.0	78.0	78.0	4	M30	50.0	160.0	226.3	G3/4	115.0	130.0	77.60
204	680.0	554.0	162.0	73.0	73.0	620.0	286.0	100.0	100.0	8	M30	50.0	160.0	226.3	G1	150.0	170.0	211.0
304	680.0	554.0	162.0	73.0	73.0	880.0	286.0	100.0	100.0	8	M30	50.0	160.0	226.3	G1	150.0	170.0	288.4

\* INCLUDES PLAIN SHAFT Ø6.35 x 5.3 LONG

\*\* HOLES ON CENTRE LINES

## Actuator English Units

Actuator Model	A INCH	B INCH	C INCH	G1 INCH	G2 INCH	H INCH	ØF INCH	S1 INCH	S2 INCH	N No.	T UNC	D INCH	R INCH	PCD INCH	P NPT	ØK INCH	L INCH	Wt. lb.†
OMO	1.26	1.21	0.49	SEE ABOVE	1.42	0.87	0.39	0.39	4	M3	0.20	0.390	0.630	M5	-	-	0.26	
017	2.83	2.33	0.55	0.187	0.19	1.50	1.02	0.50*	0.28	4	8-32	0.24	-	0.750	1/8	0.37	0.50	0.63
017P	2.89	2.36	0.55	0.187	0.19	1.50	1.02	0.50*	0.28	4	Ø0.17	UNIQUE MOUNTING CRS.		1/8	0.37	0.50	0.78	
027	3.58	3.00	0.95	0.315	0.32	1.97	1.14	0.39	0.39	4	8-32	0.31	0.709	1.000	1/8	0.63	0.79	1.01
037	4.45	3.60	1.10	0.354	0.35	2.36	1.32	0.47	0.47	4	10-24	0.39	0.866	1.225	1/8	0.71	0.87	1.61
057	5.39	4.45	1.32	0.375	0.37	2.64	1.77	0.51	0.51	6	10-24	0.39	-	1.375	1/8	0.75	1.00	2.82
077	7.01	5.75	1.71	0.630	0.63	3.94	2.52	0.79	0.79	4	5/16-18	0.63	1.417	2.000	1/4	1.26	1.57	7.26
087	8.21	6.57	1.82	0.669	0.63	4.33	2.56	0.75	0.79	4	5/16-18	0.63	1.949	2.756	1/4	1.42	1.65	6.10
097	8.94	7.36	2.16	0.748	0.63	4.96	3.31	1.02	0.79	4	3/8-16	0.79	1.811	2.560	1/4	1.50	1.97	8.44
107 #	9.06	7.42	2.28	0.866	0.63	6.89	-	0.94	0.79	4	3/8-16	0.63	2.839	4.016	1/4	-	-	21.12
127	11.57	9.41	2.68	0.984	0.63	6.14	3.94	1.22	1.40	4	1/2-13	0.94	2.165	3.060	3/8	1.97	2.20	16.50
147	14.96	12.13	3.31	1.125	0.63	7.87	5.04	1.50	1.40	4	5/8-11	1.12	2.750	3.890	1/2	2.24	2.50	31.10
167	20.87	16.81	4.92	1.614	1.61	10.79	6.90	2.17	2.17	4	7/8-9	1.50	4.250	6.010	1/2	3.35	3.54	87.49
187	26.77	21.81	6.38	2.244	2.24	14.17	11.26	3.07	3.07	4	1.1/8-7	1.97	6.300	8.910	3/4	4.53	5.12	170.7
207	26.77	21.81	6.38	2.874	2.87	24.41	11.26	3.94	3.94	8	1.1/8-7	1.97	6.300	8.910	1	5.91	6.69	464.2
307	26.77	21.81	6.38	2.874	2.87	34.65	11.26	3.94	3.94	8	1.1/8-7	1.97	6.300	8.910	1	5.91	6.69	634.5

# FEMALE DRIVE

† All weights include coupling - except 107

## DIN/ISO Options

Actuator Model	A mm	B mm	C mm	H mm	ØF mm	DIN/ISO flange no.	M mm	ØV mm	ØU mm	PCD mm	N No.	W mm	Y (min) mm	J mm	E mm	P Port	G2 mm	S2 mm
023	91.0	76.0	24.1	66.0	29.0	F03	9	46	25	36	4	M5	8	2	10	G1/8	8.0	10.0
033	113.0	91.4	28.0	74.0	33.6	F03	9	46	25	36	4	M5	8	2	10	G1/8	9.0	12.0
053	137.0	113.0	33.6	81.0	45.0	F04	11	54	30	42	4	M5	8	2	12	G1/8	9.5	13.0
073	178.0	146.0	43.4	117.0	64.0	F05	14	64	35	50	4	M6	10	3	16	G1/4	16.0	20.0
083	208.0	167.0	46.3	133.0	65.0	F07	17	70	55	70	4	M8	16	3	19	G1/4	16.0	20.0
093	227.0	187.0	54.7	146.0	84.0	F07	17	90	55	70	4	M8	13	3	19	G1/4	16.0	20.0
103	230.0	188.5	58.0	175.0	-	F10	22	-	70	102	4	M10	16	3	24	G1/4	16.0	20.0
123	294.0	239.0	68.0	180.5	100.0	F10	22	125	70	102	4	M10	16	3	24	G3/8	16.0	35.5
143	380.0	308.0	84.0	226.5	128.0	F12	27	150	85	125	4	M12	20	3	29	G1/2	16.0	35.5
163	530.0	427.0	125.0	380.0	175.0	F16	46	203	130	165	4	M20	32	4	48	G1/2	41.0	55.0
183	680.0	554.0	162.0	497.0	286.0	F25	55	300	200	254	8	M16	24	4	57	G3/4	57.0	78.0
203	680.0	567.0	175.0	800.0	286.0	F30	75	350	230	298	8	M20	32	4	77	G1	73.0	100.0