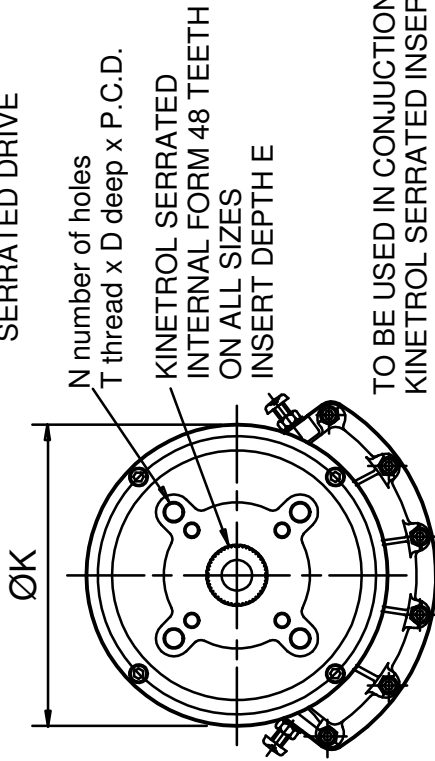
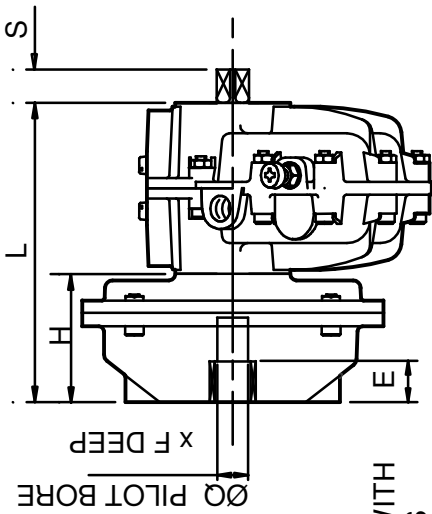


Title: Female Drive Spring Fail-Safe - SERRATED COUPLING

SERRATED DRIVE



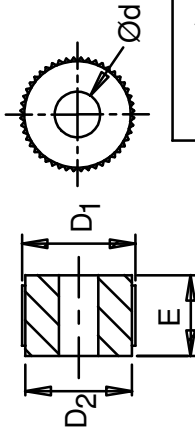
N number of holes
T thread x D deep x P.C.D.

KINETROL SERRATED
INTERNAL FORM 48 TEETH
ON ALL SIZES
INSERT DEPTH E

TO BE USED IN CONJUNCTION WITH
KINETROL SERRATED INSERTS

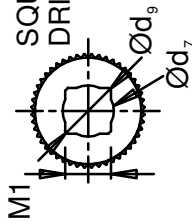
ACTUATOR SIR MODEL	ISO FLANGE No.	L mm	H mm	S mm	K mm	ØQ mm	F mm	E mm	N No.	T ISO	D mm	P.C.D. mm
053S120	F03/F05/F07	117	50	13	118	18	33	16	4	M5/M6/M8	10/12/13	36/50/70
053S180	F04	117	50	13	118	18	33	16	4	M5	12	42
073S120	F05/F07	182	82	20	152	20	43	19	4	M6/M8	10/13	50/70
083S120	F07	197	87	20	174	20	43	19	4	M8	13	70
093S120	F07/F10	218	92	20	200	27	46	24	4	M8/M10	13/16	70/102
103S120	F10	285	112	20	206	27	46	24	4	M10	16	102

SERRATED DRIVE INSERTS



MODEL	PART No.	D1	D2	E	d
053S120	SP 1380	22.2	20.9	15.8	5.0
073S120 / 083S120	SP 1381	28.5	26.9	17.8	5.0
093S120 / 103S120	SP 1382	34.9	32.9	24.6	5.0

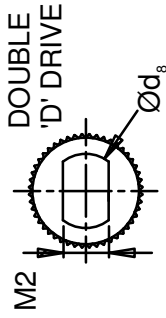
SQUARE DRIVE



MODEL	PART No.	D1	D2	E	d
053S120	SP 1411	14	14	14.7	14.7
073S120 / 083S120	SP 1412	11	11	11.6	11.6
093S120 / 103S120	SP 1421	17	17	17.9	17.9
	SP 1422	14	14	14.7	14.7
	SP 1431	22	22	23.0	23.0
	SP 1432	19	19	20.0	20.0
	SP 1433	17	17	22.3	22.3

BLANK INSERT

DOUBLE 'D' DRIVE		053S120		073S120 / 083S120		093S120 / 103S120	
PART No.	M2_H11	M2	d ₆ MAX.	M2	d ₆ MAX.	M2	d ₆ MAX.
+ SP 1440	9	9	12.1	9.5	14.0	11.0	16.0
SP 1441	10	10	14.0	10.0	14.0	11.8	16.0
+ SP 1442	11	11	14.1	11.0	14.1	11.8	16.0
SP 1460	9.5	9.5	14.0	11.0	16.0	13.0	19.0
SP 1461	10.0	10.0	14.0	11.0	16.0	14.0	18.1
+ SP 1462	11.0	11.0	14.1	11.8	16.0	14.0	18.1
SP 1463	11.0	11.0	16.0	11.8	16.0	14.0	18.1
SP 1464	11.8	11.8	16.0	11.8	16.0	14.0	18.1
+ SP 1465	14.0	14.0	18.1	11.8	16.0	14.0	18.1
SP 1470	11.8	11.8	16.0	13.0	19.0	14.5	19.0
SP 1471	13.0	13.0	19.0	14.5	19.0	17.0	22.2
+ SP 1472	14.0	14.0	18.1	19.0	22.2	19.0	25.5
SP 1473	14.5	14.5	19.0	19.0	22.2	19.0	25.5
+ SP 1474	17.0	17.0	22.2	19.0	22.2	19.0	25.5
+ SP 1475	19.0	19.0	25.5	19.0	25.5	19.0	25.5



* VALVE STEM SIZE - NOT INSERT DIMENSION
+ THESE SIZES TO ISO5211:2001(E)

ISSUE
D

T.L.
29-03-10

KINETROL

Trading Estate, Farnham, Surrey, England

Doc. No. TD 141