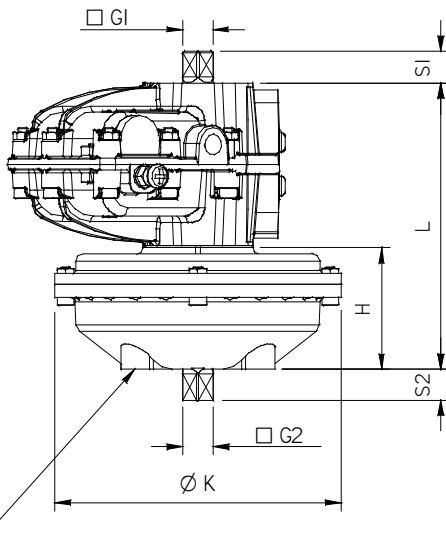
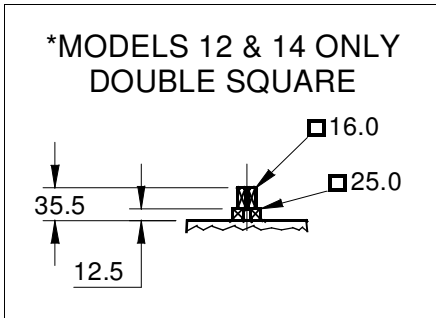




# MALE SPRING RETURN ACTUATOR DIMENSIONS

## Metric Units

Actuator** Model	L mm	H mm	ØK mm	⊠G1 mm	⊠G2 mm	S1 mm	S2 mm	N No.	T ISO	D mm	PCD mm	Wt Kg
024-120	90.0	40.0	73.0	8.0	8.0	10.0	10.0	4	M4	8.0	25.5	0.84
034-120	107.0	47.0	107.0	9.0	9.0	12.0	12.0	4	M5	10.0	31.1	2.08
054-120	117.0	50.0	118.0	9.5	9.5	13.0	13.0	6	M5	8.0	34.9	2.63
074-120	182.0	82.0	152.0	16.0	16.0	20.0	20.0	4	M8	16.0	50.9	7.26
084-120	197	87	174	16.0	17.0	20.0	19.0	4	M8	16.0	70.0	7.23
094-120	218.0	92.0	200.0	16.0	19.0	20.0	26.0	4	M10	20.0	65.0	14.77
104-120	285.0	112.0	206.0	16.0	22.0	20.0	26.0	8	M10	16.0	102.0	22.00
124-120	293.0	136.0	258.0	16.0*	25.0	35.5	31.0	4	M12	22.0	77.8	27.95
144-120-4900	417.0	217.0	258.0	16.0*	28.6	35.5	38.0	4	M16	28.5	98.8	51.81
144-120	374.0	174.0	394.0	16.0*	28.6	35.5	38.0	4	M16	28.5	98.8	71.25
144-120-5000	337.0	137.0	258.0	16.0*	28.6	35.5	38.0	4	M16	28.5	98.8	38.18
164-120-6100	450.0	176.0	394.0	41.0	41.0	55.0	55.0	4	M24	32.0	152.7	75.00
164-120	485.5	211.5	524.0	41.0	41.0	55.0	55.0	4	M24	38.0	152.7	123.0
184-120-7000	571.5	211.5	524.0	57.0	57.0	78.0	78.0	4	M30	50.0	226.3	161.0
184-120	671.5	311.5	524.0	57.0	57.0	78.0	78.0	4	M30	50.0	226.3	240.0
204-120-7200	931.5	311.5	524.0	73.0	73.0	100.0	100.0	8	M30	50.0	226.3	350.0
204-120-7300	1031.5	411.5	524.0	73.0	73.0	100.0	100.0	8	M30	50.0	226.3	408.0
204-120	1131.5	511.5	524.0	73.0	73.0	100.0	100.0	8	M30	50.0	226.3	479.0
304-120-7600	1293.0	411.5	524.0	73.0	73.0	100.0	100.0	8	M30	50.0	226.3	524.0
304-120-7700	1393.0	511.5	524.0	73.0	73.0	100.0	100.0	8	M30	50.0	226.3	606.0
304-120-7800	1493.0	611.5	524.0	73.0	73.0	100.0	100.0	8	M30	50.0	226.3	688.0
304-120	1593.0	711.5	524.0	73.0	73.0	100.0	100.0	8	M30	50.0	226.3	770.0



N number of holes  
T thread x D deep x PCD

## English Units

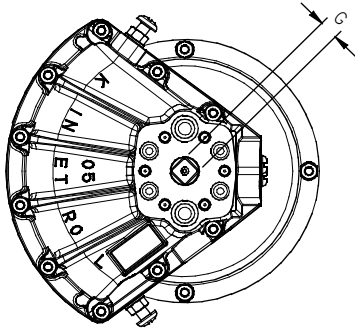
Actuator** Model	L inch	H inch	ØK inch	⊠G1 inch	⊠G2 inch	S1 inch	S2 inch	N No.	T UNC	D inch	PCD inch	Wt lb
027-120	3.54	1.58	2.87	0.315	0.315	0.39	0.39	4	8-32	0.31	1.00	1.85
037-120	4.21	1.85	4.21	0.354	0.354	0.47	0.47	4	10-24	0.39	1.225	4.58
057-120	4.61	1.97	4.25	0.375	0.375	0.51	0.51	6	10-24	0.31	1.375	5.80
077-120	7.17	3.23	6.00	0.630	0.630	0.79	0.79	4	5/16-18	0.63	2.00	16.00
087-120	7.76	3.43	6.85	0.630	0.669	0.79	0.75	4	5/16-18	0.63	2.76	15.93
097-120	8.58	3.62	7.90	0.630	0.748	0.79	1.02	4	3/8-16	0.79	2.56	32.56
107-120	11.22	4.41	8.11	0.630	0.866	0.79	1.02	8	3/8-16	0.63	4.02	48.50
127-120	11.54	5.35	10.16	0.630*	0.984	1.40	1.22	4	1/2-13	0.87	3.06	61.62
147-120-4900	16.43	8.54	10.16	0.630*	1.125	1.40	1.50	4	5/8-11	1.12	3.89	113.98
147-120	14.72	6.85	15.50	0.630*	1.125	1.40	1.50	4	5/8-11	1.13	3.89	157.0
147-120-5000	13.27	5.40	10.16	0.630*	1.125	1.40	1.50	4	5/8-11	1.13	3.89	84.19
167-120-6100	17.72	6.93	15.50	1.614	1.614	2.17	2.17	4	7/8-9	1.26	6.01	165.0
167-120	19.11	8.33	20.63	1.614	1.614	2.17	2.17	4	7/8-9	1.50	6.01	272.0
187-120-7000	22.50	8.33	20.63	2.244	2.244	3.07	3.07	4	1 1/8-7	1.97	8.91	356.0
187-120	26.44	12.26	20.63	2.244	2.244	3.07	3.07	4	1 1/8-7	1.97	8.91	530.0
207-120-7200	36.67	12.26	20.63	2.874	2.874	3.94	3.94	8	1 1/8-7	1.97	8.91	773.0
207-120-7300	40.61	16.20	20.63	2.874	2.874	3.94	3.94	8	1 1/8-7	1.97	8.91	901.0
207-120	44.55	20.14	20.63	2.874	2.874	3.94	3.94	8	1 1/8-7	1.97	8.91	1058.0
307-120-7600	50.91	16.20	20.63	2.874	2.874	3.94	3.94	8	1 1/8-7	1.97	8.91	1158.0
307-120-7700	54.84	20.14	20.63	2.874	2.874	3.94	3.94	8	1 1/8-7	1.97	8.91	1339.0
307-120-7800	58.78	24.07	20.63	2.874	2.874	3.94	3.94	8	1 1/8-7	1.97	8.91	1520.0
307-120	62.72	28.01	20.63	2.874	2.874	3.94	3.94	8	1 1/8-7	1.97	8.91	1701.0

### NOTES :

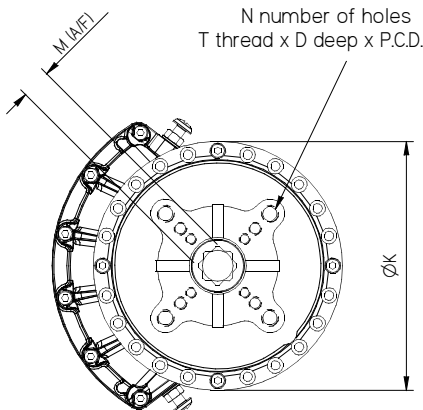
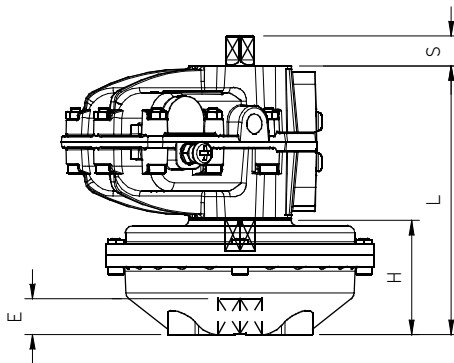
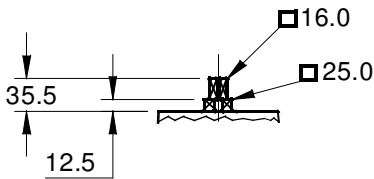
- 1.) This page shows the preferred product codes for male spring return actuator assemblies.
- 2.) \*\* Clockwise (120) and Anti-clockwise (130) units have identical dimensions.



# ISO FLANGE FEMALE SPRING RETURN ACTUATOR DIMENSIONS



**\*MODELS 12 & 14 ONLY  
DOUBLE SQUARE**



**NOTES :**

- 1.) This page shows the preferred product codes for female spring return actuator assemblies.
- 2.) Contact Kinetrol for special female coupling drive shapes.
- 3.) All female drives are "star" type except for sizes marked "\*\*\*\*" where square orientation is shown by dimension "M".

**Metric Units**

Actuator Model	ISO Flange No.	L mm	H mm	ØK mm	M mm	S mm	⊠G mm	E mm	N No.	T ISO	D mm	PCD mm
033F120	F03/F05	102	42	107	11	12	9.0	12	4	M5/M6	8/10	36/50
033F180	F04	102	42	107	11	12	9.0	12	4	M5	10	42
053F120	F03/F05 /F07	117	50	118	14	13	9.5	16	4	M5/M6 /M8	10/12 /13	36/50 /70
053F180	F04	117	50	118	14	13	9.5	16	4	M5	10	42
073F120-4000	F03/F05 /F07	150	50	118	14	20	16.0	16	4	M5/M6 /M8	10/12 /13	36/50 /70
073F120	F05/F07	182	82	152	17	20	16.0	19	4	M6/M8	10/13	50/70
083F120	F07	197	87	174	17	20	16.0	19	4	M8	16	70
093F120-4200	F05/F07	208	82	152	17	20	16.0	19	4	M6/M8	10/13	50/70
093F120	F07/F10	218	92	200	22	20	16.0	24	4	M8/M10	13/16	70/102
103F120-5800	F07/F10	265	92	200	22	20	16.0	24	4	M8/M10	13/16	70/102
103F120	F10	285	112	206	22	20	16.0	25	4	M10	16	102
123F120-4300	F10	248	92	200	22	35.5	16.0*	24	4	M10	16	102
123F120-4400	F10	340	184	200	22	35.5	16.0*	24	4	M10	16	102
123F120	F10	293	136	258	22	35.5	16.0*	25	4	M10	16	102
123F180	F12	293	136	258	22	35.5	16.0*	25	4	M12	20	125
143F120-4900	F12	417	217	258	27	35.5	16.0*	29	4	M12	20	125
143F120-5000	F12	337	136	258	22	35.5	16.0*	25	4	M12	20	125
163F120***	F14	486	212	524	36	55	41.0	38	4	M16	24	140
183F120-7000***	F16	572	212	524	46	78	57.0	48	4	M20	30	165
183F120***	F16	672	312	524	46	78	57.0	48	4	M20	30	165
203F120-7200***	F25	932	312	524	55	100	73.0	57	8	M16	24	254
203F120-7300***	F25	1032	412	524	55	100	73.0	57	8	M16	24	254
203F120***	F25	1132	512	524	55	100	73.0	57	8	M16	24	254

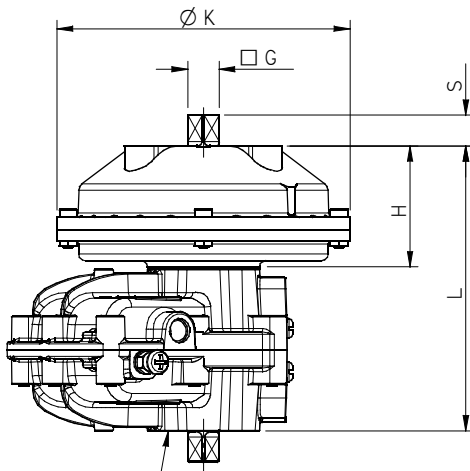
**English Units**

Actuator Model	ISO Flange No.	L inch	H inch	ØK inch	M inch	S inch	⊠G inch	E inch	N No.	T UNC	D inch	PCD inch
037F120	F03/F05	4.02	1.65	4.21	0.433	0.47	0.354	0.47	4	10-24 1/4	0.31/0.39	1.41/1.97
037F180	F04	4.02	1.65	4.21	0.433	0.47	0.354	0.47	4	10-24	0.39	1.65
057F120	F03/F05 /F07	4.61	1.97	4.65	0.551	0.51	0.374	0.63	4	10-24 1/4 5/16	0.39 0.47/0.51	1.42 1.97/2.76
057F180	F04	4.61	1.97	4.65	0.551	0.51	0.374	0.63	4	10-24	0.39	1.65
077F120-4000	F03/ F05/F07	5.91	1.97	4.65	0.551	0.79	0.630	0.63	4	10-24 1/4 5/16	0.39 0.47/0.51	1.42 1.97/2.76
077F120	F05/F07	7.17	3.23	5.98	0.669	0.79	0.630	0.75	4	1/4 5/16	0.39	1.97/2.76
087F120	F07	7.76	3.43	6.85	0.669	0.79	0.630	0.75	4	5/16	0.63	2.76
097F120-4200	F05/F07	8.19	3.23	5.98	0.669	0.79	0.630	0.75	4	1/4 5/16	0.39/0.51	1.97/2.76
097F120	F07/F10	8.58	3.62	7.87	0.866	0.79	0.630	0.94	4	5/16 3/8	0.51/0.63	2.76/4.01
107F120-5800	F07/F10	10.43	3.62	7.87	0.866	0.79	0.630	0.94	4	5/16 3/8	0.51/0.63	2.76/4.01
107F120	F10	11.22	4.41	8.11	0.866	0.79	0.630	0.98	4	3/8	0.63	4.02
127F120-4300	F10	9.76	3.62	7.87	0.866	1.40	0.630*	0.94	4	3/8	0.63	4.02
127F120-4400	F10	13.39	7.24	7.87	0.866	1.40	0.630*	0.94	4	3/8	0.63	4.02
127F120	F10	11.54	5.35	10.16	0.866	1.40	0.630*	0.98	4	3/8	0.63	4.02
127F180	F12	11.54	5.35	10.16	0.866	1.40	0.630*	0.98	4	1/2	0.79	4.92
147F120-4900	F12	16.42	8.54	10.16	1.063	1.40	0.630*	1.14	4	1/2	0.79	4.92
147F120-5000	F12	13.27	5.35	10.16	0.866	1.40	0.630*	0.98	4	1/2	0.79	4.92
167F120***	F14	19.13	8.35	20.63	1.417	2.17	1.614	1.50	4	5/8	0.94	5.51
187F120-7000***	F16	22.52	8.35	20.63	1.811	3.07	2.244	1.89	4	3/4	1.18	6.50
187F120***	F16	26.46	12.28	20.63	1.811	3.07	2.244	1.89	4	3/4	1.18	6.50
207F120-7200***	F25	36.70	12.28	20.63	2.165	3.94	2.874	2.24	8	5/8	0.94	10.00
207F120-7300***	F25	40.63	16.22	20.63	2.165	3.94	2.874	2.24	8	5/8	0.94	10.00
207F120***	F25	44.57	20.16	20.63	2.165	3.94	2.874	2.24	8	5/8	0.94	10.00



# MALE SPRING RETURN ACTUATOR DIMENSIONS – TOP MOUNTED SPRING

Mount hole orientation same as actuator except model 01 and low pressure combinations set for below 5.5 bar/80 psi operation.



N number of holes  
T thread x D deep x PCD

## Metric Units

Actuator** Model	L mm	H mm	ØK mm	⊠G mm	S mm	N No.	T ISO	D mm	PCD mm	Wt Kg
010-120	61.2	23.2	58.8	4.8	7.2	3	M3	4.0	15.9	0.53
010-120A	61.2	23.2	58.8	4.8	7.2	3	M3	4.0	15.9	0.50
020-120	90.0	40.0	73.0	8.0	10.0	4	M4	8.0	25.5	0.84
030-120-5600	100.0	40.0	73.0	8.0	10.0	4	M4	8.0	25.5	1.13
030-120	107.0	47.0	107.0	9.0	12.0	4	M5	10.0	31.1	2.08
050-120	117.0	50.0	118.0	9.5	13.0	6	M5	8.0	34.9	2.63
070-120-4000	158.3	55.3	118.0	9.5	13.0	6	M5	8.0	34.9	4.65
070-120	182.0	82.0	152.0	16.0	20.0	4	M8	16.0	50.8	7.26
090-120-4200	208.0	82.0	152.0	16.0	20.0	4	M8	16.0	50.8	10.50
090-120	218.0	92.0	200.0	19.0	26.0	4	M10	20.0	65.0	14.77
100-120-5800*	265.0	92.0	200.0	19.0	26.0	4	M10	20.0	65.0	17.85
100-120*	285.0	112.0	206.0	22.0	26.0	8	M10	16.0	102.0	22.00
120-120-4300	248.0	92.0	200.0	19.0	26.0	4	M10	20.0	65.0	20.73
120-120-4400	340.0	184.0	200.0	19.0	26.0	4	M10	20.0	65.0	28.96
120-120	293.0	136.0	258.0	25.0	31.0	4	M12	22.0	77.8	27.95
140-120-4900	417.0	217.0	258.0	28.6	38.0	4	M16	28.5	98.8	51.81
140-120	374.0	174.0	394.0	28.6	38.0	4	M16	28.5	98.8	71.25
140-120-5000	337.0	137.0	258.0	28.6	38.0	4	M16	28.5	98.8	38.18
160-120-6000	586.0	312.0	394.0	28.6	38.0	4	M16	28.5	98.8	90.00
160-120-6100	450.0	176.0	394.0	41.0	55.0	4	M24	32.0	152.7	75.00
160-120	485.5	211.5	524.0	41.0	55.0	4	M24	38.0	152.7	123.0
180-120-7000	571.5	211.5	524.0	57.0	78.0	4	M30	50.0	226.3	161.0
180-120	671.5	311.5	524.0	57.0	78.0	4	M30	50.0	226.3	240.0
200-120-7200	931.5	311.5	524.0	73.0	100.0	8	M30	50.0	226.3	350.0
200-120-7300	1031.5	411.5	524.0	73.0	100.0	8	M30	50.0	226.3	408.0
200-120	1131.5	511.5	524.0	73.0	100.0	8	M30	50.0	226.3	479.0
300-120-7600	1293.0	411.5	524.0	73.0	100.0	8	M30	50.0	226.3	524.0
300-120-7700	1393.0	511.5	524.0	73.0	100.0	8	M30	50.0	226.3	606.0
300-120-7800	1493.0	611.5	524.0	73.0	100.0	8	M30	50.0	226.3	688.0
300-120	1593.0	711.5	524.0	73.0	100.0	8	M30	50.0	226.3	770.0

## English Units

Actuator** Model	L inch	H inch	ØK inch	⊠G inch	S inch	N No.	T UNC	D inch	PCD inch	Wt lb
019-120	2.41	0.91	2.32	0.187	0.28	3	-	0.16	0.625	1.17
019-120A	2.41	0.91	2.32	0.187	0.28	3	-	0.16	0.625	1.10
029-120	3.54	1.58	2.87	0.315	0.39	4	8 - 32	0.31	1.00	1.85
039-120-5600	3.94	1.58	2.87	0.315	0.39	4	8 - 32	0.31	1.00	2.49
039-120	4.21	1.85	4.21	0.354	0.47	4	10 - 24	0.39	1.225	4.58
059-120	4.61	1.97	4.25	0.375	0.51	6	10 - 24	0.31	1.375	5.80
079-120-4000	6.23	2.18	4.25	0.375	0.51	6	10 - 24	0.31	1.375	10.25
079-120	7.17	3.23	6.00	0.630	0.79	4	5/16 - 18	0.63	2.00	16.00
099-120-4200	8.19	3.23	6.00	0.630	0.79	4	5/16 - 18	0.63	2.00	23.15
099-120	8.58	3.62	7.90	0.748	1.02	4	3/8 - 16	0.79	2.56	32.56
109-120-5800*	10.43	3.62	7.90	0.748	1.02	4	3/8 - 16	0.79	2.56	40.30
109-120*	11.22	4.41	8.11	0.866	1.02	8	3/8 - 16	0.63	4.02	48.50
129-120-4300	9.76	3.62	7.90	0.748	1.02	4	3/8 - 16	0.79	2.56	45.71
129-120-4400	13.39	7.25	7.90	0.748	1.02	4	3/8 - 16	0.79	2.56	63.86
129-120	11.54	5.35	10.16	0.984	1.22	4	1/2 - 13	0.87	3.06	61.62
149-120-4900	16.43	8.54	10.16	1.125	1.50	4	5/8 - 11	1.12	3.89	113.98
149-120	14.72	6.85	15.50	1.125	1.50	4	5/8 - 11	1.13	3.89	157.0
149-120-5000	13.27	5.40	10.16	1.125	1.50	4	5/8 - 11	1.13	3.89	84.19
169-120-6000	23.07	12.28	15.50	1.125	1.50	4	5/8 - 11	1.13	3.89	198.0
169-120-6100	17.72	6.93	15.50	1.614	2.17	4	7/8 - 9	1.26	6.01	165.0
169-120	19.11	8.33	20.63	1.614	2.17	4	7/8 - 9	1.50	6.01	272.0
189-120-7000	22.50	8.33	20.63	2.244	3.07	4	1 1/8 - 7	1.97	8.91	356.0
189-120	26.44	12.26	20.63	2.244	3.07	4	1 1/8 - 7	1.97	8.91	530.0
209-120-7200	36.67	12.26	20.63	2.874	3.94	8	1 1/8 - 7	1.97	8.91	773.0
209-120-7300	40.61	16.20	20.63	2.874	3.94	8	1 1/8 - 7	1.97	8.91	901.0
209-120	44.55	20.14	20.63	2.874	3.94	8	1 1/8 - 7	1.97	8.91	1058.0
309-120-7600	50.91	16.20	20.63	2.874	3.94	8	1 1/8 - 7	1.97	8.91	1158.0
309-120-7700	54.84	20.14	20.63	2.874	3.94	8	1 1/8 - 7	1.97	8.91	1339.0
309-120-7800	58.78	24.07	20.63	2.874	3.94	8	1 1/8 - 7	1.97	8.91	1520.0
309-120	62.72	28.01	20.63	2.874	3.94	8	1 1/8 - 7	1.97	8.91	1701.0

### NOTES :

- 1.) This page shows older, non-preferred product codes for male spring return actuator assemblies. Where ever possible, assemblies as shown on page 1 should be used.
- 2.) \*\* Clockwise (120) and Anti-clockwise (130) units have identical dimensions.
- 3.) \* Female drive unless specified.



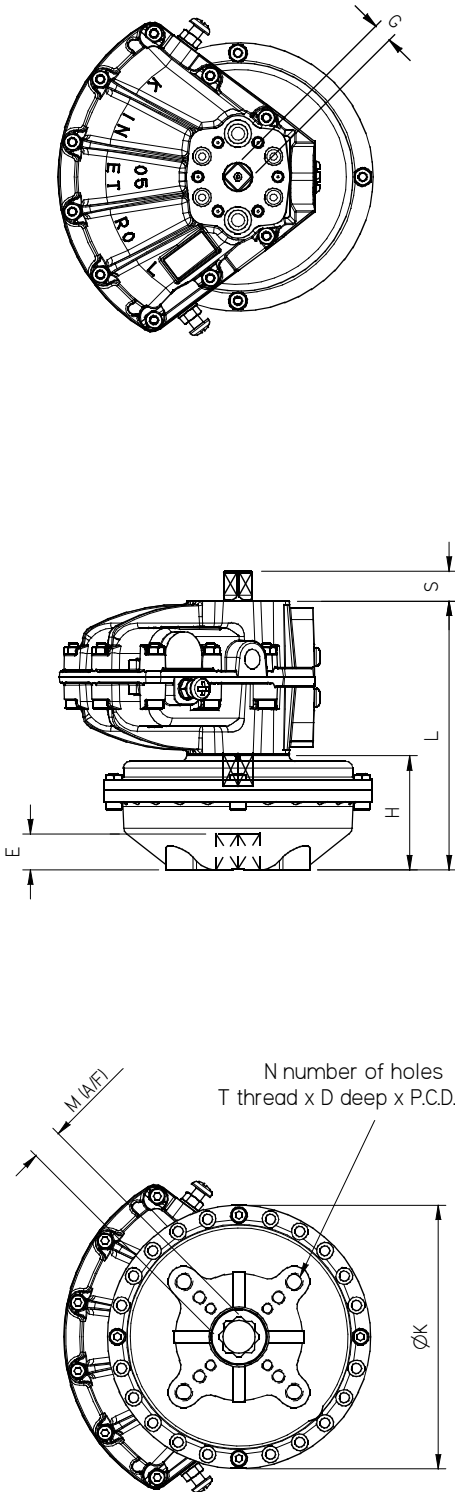
# ISO FLANGE FEMALE SPRING RETURN ACTUATOR DIMENSIONS

## Metric Units

Actuator Model	ISO Flange No.	L mm	H mm	ØK mm	M mm	S mm	⊠G mm	E mm	N No.	T ISO	D mm	PCD mm
031F120	F03/F05	102	42	107	11	12	9.0	12	4	M5/M6	8/10	36/50
031F180	F04	102	42	107	11	12	9.0	12	4	M5	10	42
051F120	F03/F05/F07	117	50	118	14	13	9.5	16	4	M5/M6/M8	10/12/13	36/50/70
051F180	F04	117	50	118	14	13	9.5	16	4	M5	10	42
071F120-4000	F03/F05/F07	150	50	118	14	20	16.0	16	4	M5/M6/M8	10/12/13	36/50/70
071F120	F05/F07	182	82	152	17	20	16.0	19	4	M6/M8	10/13	50/70
091F120-4200	F05/F07	208	82	152	17	26	19.0	19	4	M6/M8	10/13	50/70
091F120	F07/F10	218	92	200	22	26	19.0	24	4	M8/M10	13/16	70/102
101F120-5800	F07/F10	265	92	200	22	26	22.0	24	4	M8/M10	13/16	70/102
101F120	F10	285	112	206	22	26	22.0	25	4	M10	16	102
121F120-4300	F10	248	92	200	22	26	25.0	24	4	M10	16	102
121F120-4400	F10	340	184	200	22	31	25.0	24	4	M10	16	102
121F120	F10	293	136	258	22	31	25.0	25	4	M10	16	102
121F180	F12	293	136	258	22	31	25.0	25	4	M12	20	125
141F120-4900	F12	417	217	258	27	38	28.6	29	4	M12	20	125
141F120-5000	F12	337	136	258	22	38	28.6	25	4	M12	20	125
161F120***	F14	486	212	524	36	55	41.0	38	4	M16	24	140
181F120-7000***	F16	572	212	524	46	78	57.0	48	4	M20	30	165
181F120***	F16	672	312	524	46	78	57.0	48	4	M20	30	165
201F120-7200***	F25	932	312	524	55	100	73.0	57	8	M16	24	254
201F120-7300***	F25	1032	412	524	55	100	73.0	57	8	M16	24	254
201F120***	F25	1132	512	524	55	100	73.0	57	8	M16	24	254

## English Units

Actuator Model	ISO Flange No.	L inch	H inch	ØK inch	M inch	S inch	⊠G inch	E inch	N No.	T UNC	D inch	PCD inch
039F120	F03/F05	4.02	1.65	4.21	0.433	0.47	0.354	0.47	4	10-24 1/4	0.31/0.39	1.41/1.97
039F180	F04	4.02	1.65	4.21	0.433	0.47	0.354	0.47	4	10-24	0.39	1.65
059F120	F03/F05/F07	4.61	1.97	4.65	0.551	0.51	0.374	0.63	4	10-24 1/4 5/16	0.39 0.47/0.51	1.42 1.97/2.76
059F180	F04	4.61	1.97	4.65	0.551	0.51	0.374	0.63	4	10-24	0.39	1.65
079F120-4000	F03/F05/F07	5.91	1.97	4.65	0.551	0.79	0.630	0.63	4	10-24 1/4 5/16	0.39 0.47/0.51	1.42 1.97/2.76
079F120	F05/F07	7.17	3.23	5.98	0.669	0.79	0.630	0.75	4	1/4 5/16	0.39	1.97/2.76
099F120-4200	F05/F07	8.19	3.23	5.98	0.669	1.02	0.750	0.75	4	1/4 5/16	0.39/0.51	1.97/2.76
099F120	F07/F10	8.58	3.62	7.87	0.866	1.02	0.750	0.94	4	5/16 3/8	0.51/0.63	2.76/4.01
109F120-5800	F07/F10	10.43	3.62	7.87	0.866	1.02	0.870	0.94	4	5/16 3/8	0.51/0.63	2.76/4.01
109F120	F10	11.22	4.41	8.11	0.866	1.02	0.870	0.98	4	3/8	0.63	4.02
129F120-4300	F10	9.76	3.62	7.87	0.866	1.02	0.984	0.94	4	3/8	0.63	4.02
129F120-4400	F10	13.39	7.24	7.87	0.866	1.22	0.984	0.94	4	3/8	0.63	4.02
129F120	F10	11.54	5.35	10.16	0.866	1.22	0.984	0.98	4	3/8	0.63	4.02
129F180	F12	11.54	5.35	10.16	0.866	1.22	0.984	0.98	4	1/2	0.79	4.92
149F120-4900	F12	16.42	8.54	10.16	1.063	1.50	1.126	1.14	4	1/2	0.79	4.92
149F120-5000	F12	13.27	5.35	10.16	0.866	1.50	1.126	0.98	4	1/2	0.79	4.92
169F120***	F14	19.13	8.35	20.63	1.417	2.17	1.614	1.50	4	5/8	0.94	5.51
189F120-7000***	F16	22.52	8.35	20.63	1.811	3.07	2.244	1.89	4	3/4	1.18	6.50
189F120***	F16	26.46	12.28	20.63	1.811	3.07	2.244	1.89	4	3/4	1.18	6.50
209F120-7200***	F25	36.70	12.28	20.63	2.165	3.94	2.874	2.24	8	5/8	0.94	10.00
209F120-7300***	F25	40.63	16.22	20.63	2.165	3.94	2.874	2.24	8	5/8	0.94	10.00
209F120***	F25	44.57	20.16	20.63	2.165	3.94	2.874	2.24	8	5/8	0.94	10.00



- 1.) This page shows older, non-preferred product codes for female spring return actuator assemblies. Where ever possible, assemblies as shown on page 2 should be used.
- 2.) Contact Kinetrol for special female coupling drive shapes.
- 3.) All female drives are "star" type except for sizes marked "\*\*\*\*" where square orientation is shown by dimension "M".