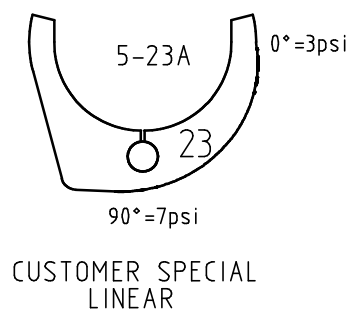
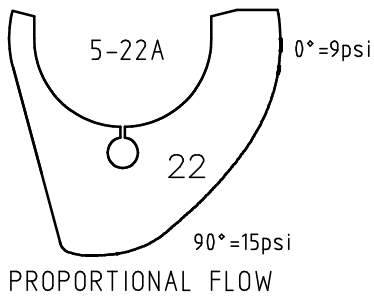
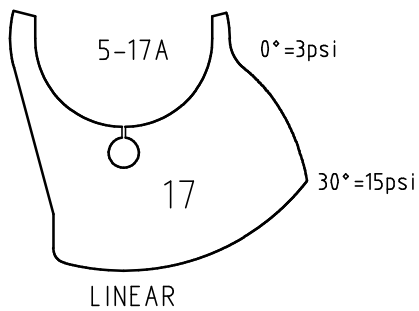
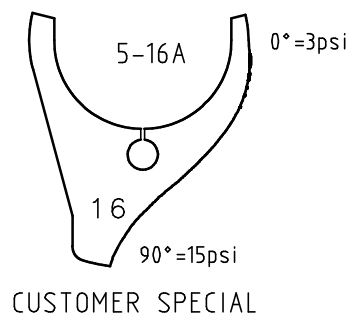
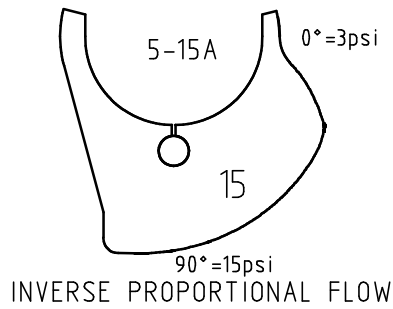
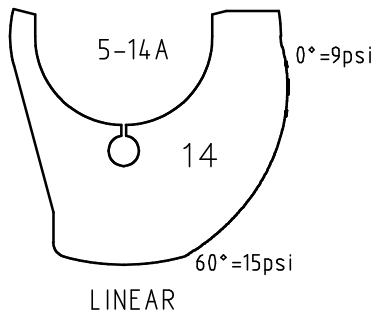
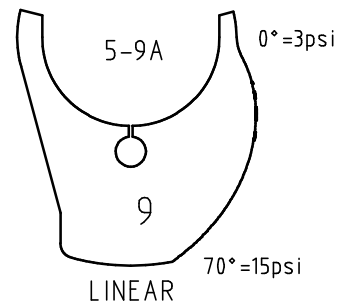
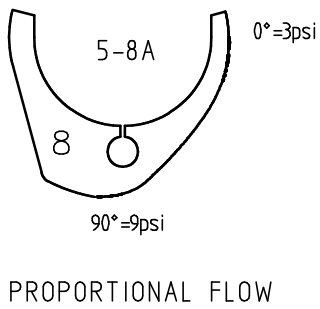
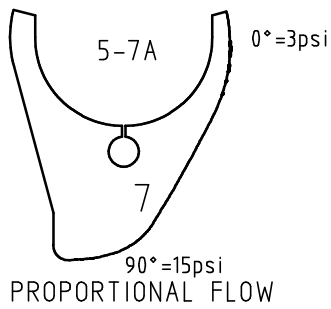
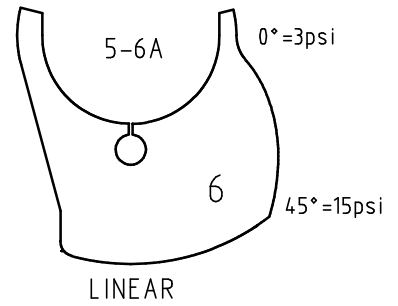
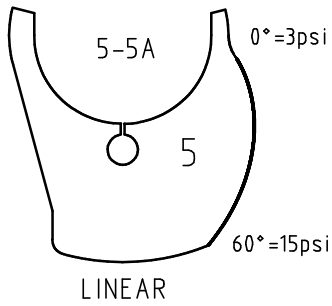
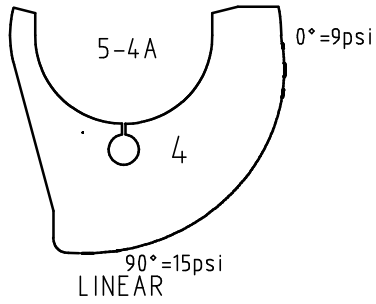
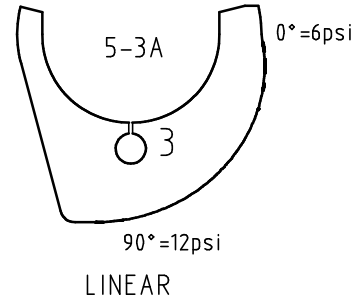
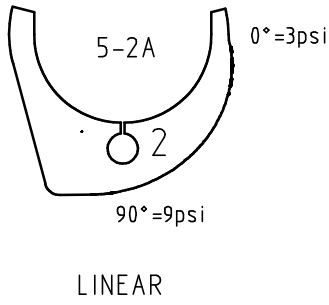
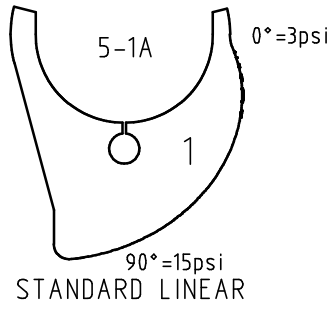


Title:

Cams for AP Positioner



KF - 227 - 10/94 - CAD Index 00109

ISSUE
D

15.03.11

KINETROL

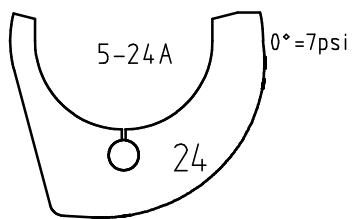
Trading Estate Farnham Surrey England

SHEET No. TD112
Page 1 of 2
(IDX 30406)

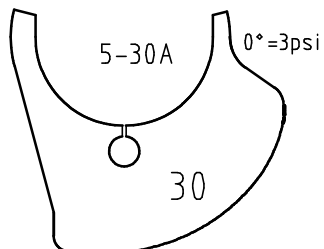
AR 005061

Title:

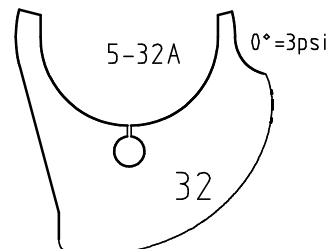
Cams for AP Positioner



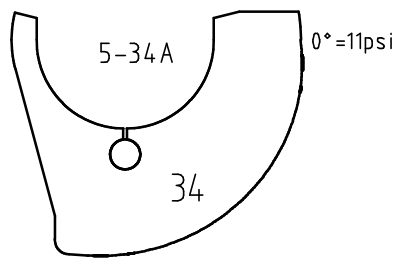
CUSTOMER SPECIAL
LINEAR



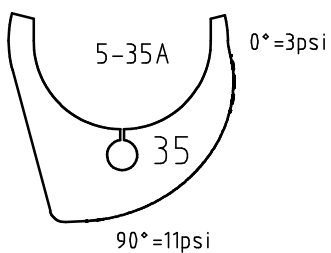
LINEAR



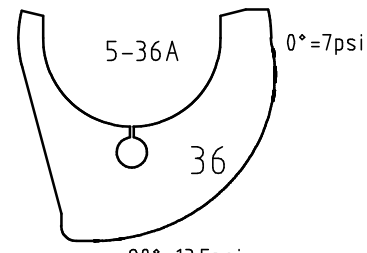
SQUARE ROOT



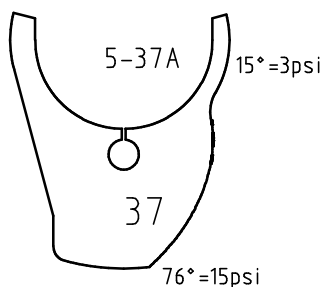
CUSTOMER SPECIAL
LINEAR



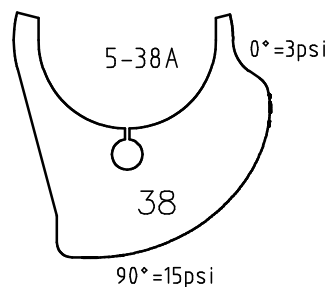
LINEAR



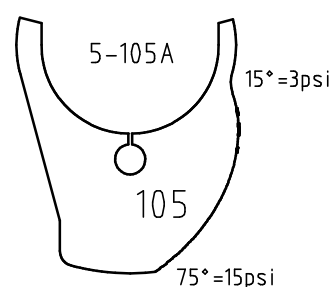
LINEAR



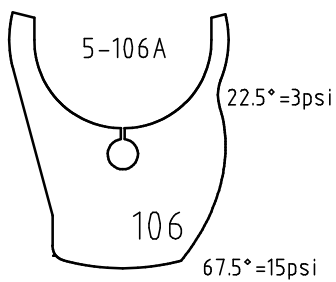
LINEAR



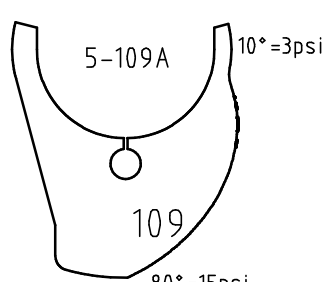
APPROXIMATELY EQUAL PERCENTAGE FLOW
CUSTOMER SPECIAL



LINEAR



LINEAR



LINEAR

ISSUE
D

15.03.11

KINETROL

Trading Estate Farnham Surrey England

SHEET No. TD112
Page 2 of 2
(IDX 30406)