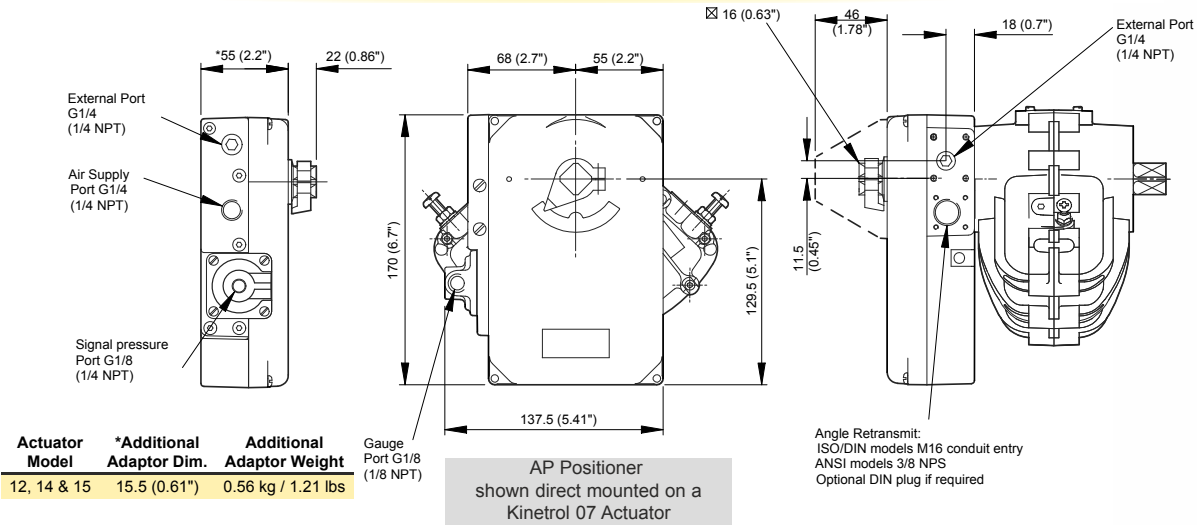
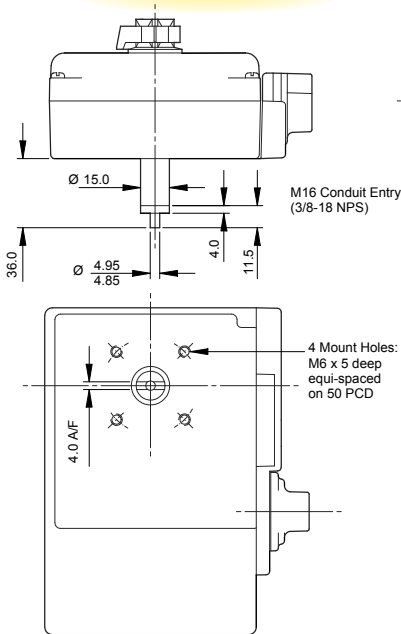


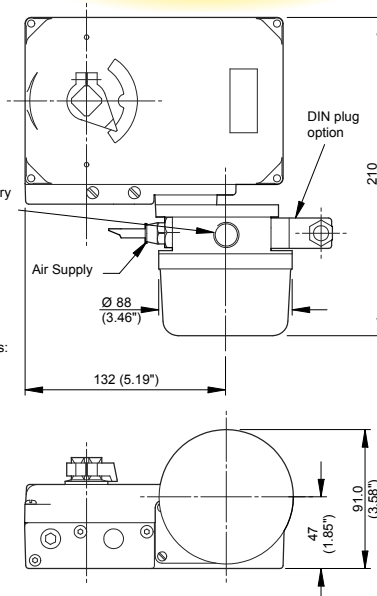
AP Positioner Dimensions



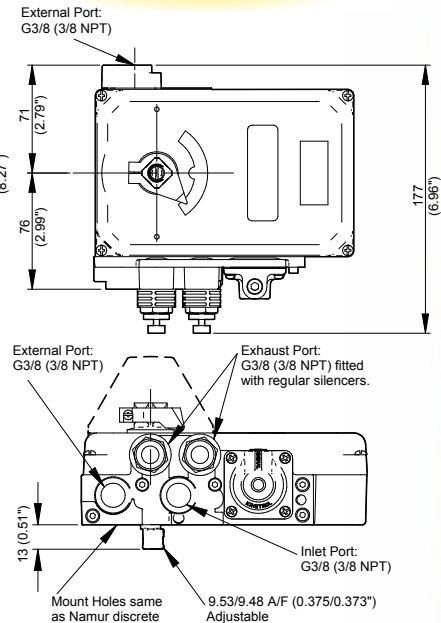
Namur Discrete Version



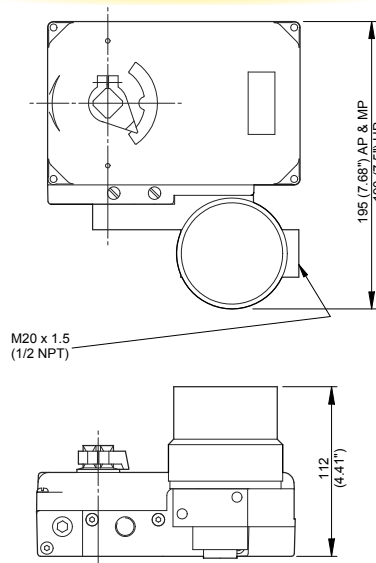
Non-Hazardous I/P Version



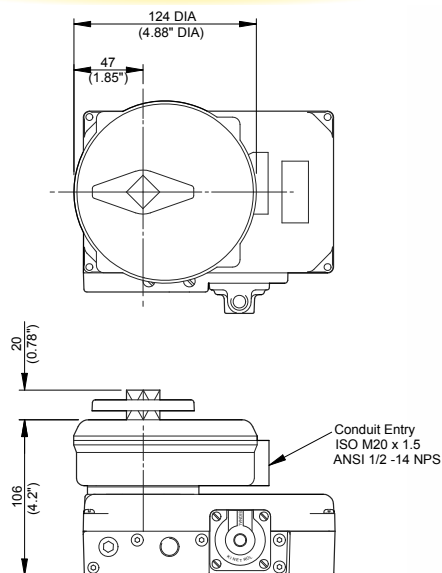
Kinetrol Discrete/ High Flow Version



Explosion Proof I/P Version



Switch Box Version



Where drawing information is not given - it is the same as the direct mount version