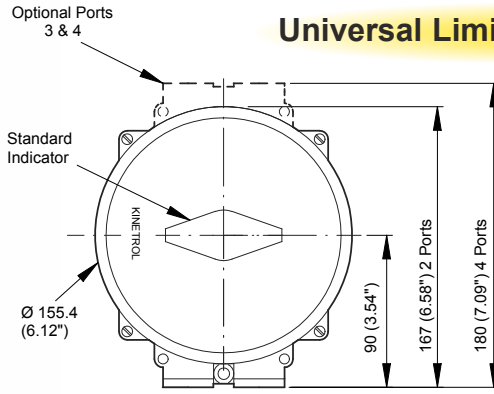
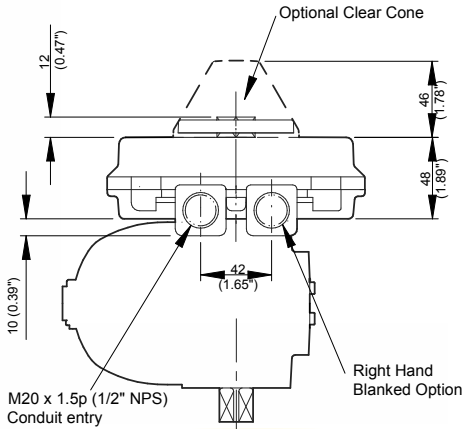
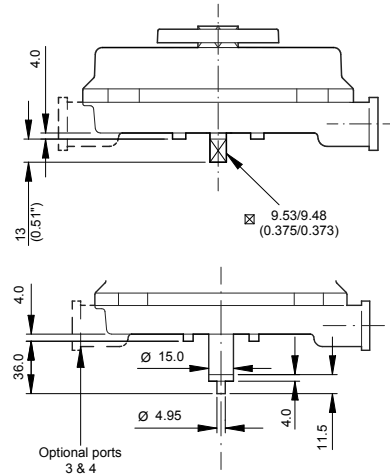


Universal Limit Switch Box Dimensions

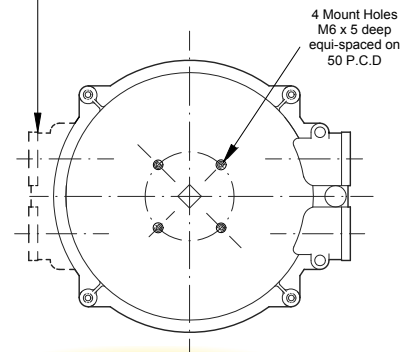


Standard Orientation Of Unit

Actuator Model	*Additional Adaptor Dim.	Additional Adaptor Weight
12, 14 & 15	15.5 (0.61")	0.56 kg / 1.21 lbs

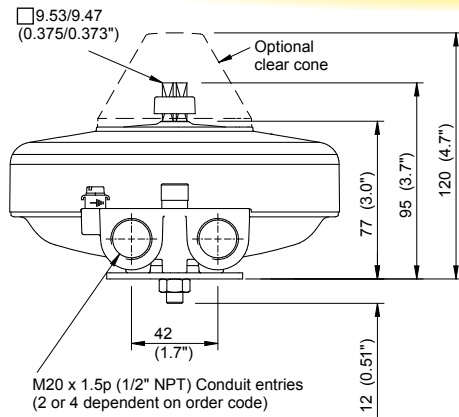


Direct Mount Option

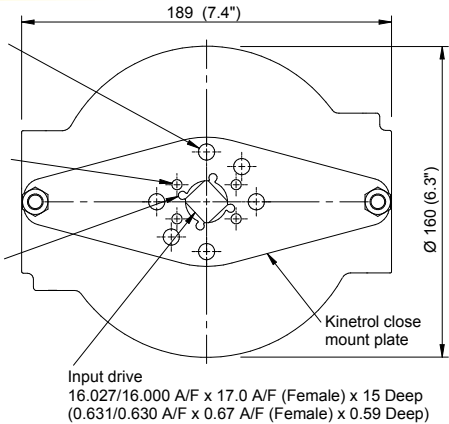


Kinetrol & Namur Discrete Mount Option

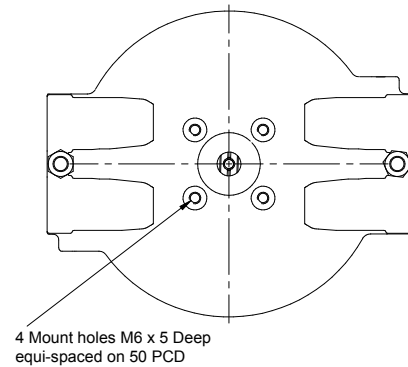
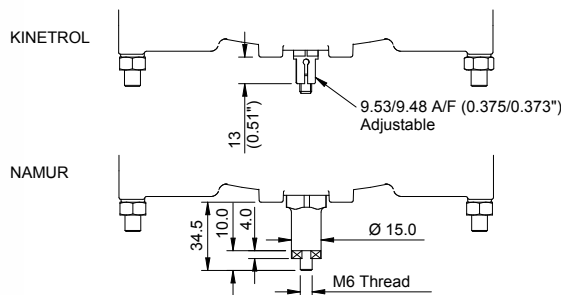
Explosion Proof Limit Switch Box Dimensions



- 6 x Ø78.3 (0.327") 50.8 (2.00") CRS 07 - 15 Mount holes
- 4 x Ø75.2 (0.205") 34.9 (1.374") PCD 05 Mount holes
- 4 x Ø74.2 (0.165") 25.5 (1.004") PCD 03 Mount holes



Kinetrol Close Mount Option



Discrete Mount Option