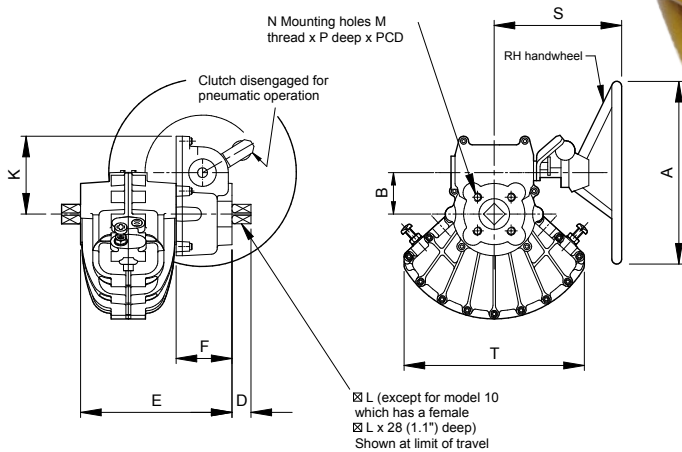


Kinetrol declutchable geared overrides are available for models 05 to 20 (excluding model 15), rated for the same torques as the actuators and fitted between the actuator and the load. The standard unit is supplied with the right hand handwheel option (see drawing below), whereby when the handwheel is moved in a clockwise direction the actuator moves in a counter clockwise direction. A left hand handwheel option is also available on some models (see below).

Dimensions



DRAWING SHOWS RIGHT HAND HANDWHEEL.

PHOTO SHOWS LEFT HAND HANDWHEEL.



- Left hand handwheel option
- Declutch lever switch available
- Corrosion resistant - fully sealed to IP65

Metric Units

Actuator Model (ISO)	A mm	B mm	D mm	E mm	F mm	K mm	⊘L mm	M	N No.	P mm	PCD mm	S mm	T mm	Wt kgs
05	300	67.8	13	170	103	127	9.5	M5	6	12	34.9	220	137	9.18
07	300	67.8	20	192	92	127	16.0	M8	4	16	50.9	220	178	11.20
08	300	67.8	19	202	92	127	17.0	M8	4	16	70.0	220	208	10.61
09	300	67.8	26	218	92	127	19.0	M10	4	20	65.0	220	227	12.06
10	300	67.8	-	267	92	127	22.0	M10	4	20	102.0	220	230	13.40
12	300	67.8	31	248	92	127	25.0	M12	4	25	77.8	220	294	15.40
14	400	67.8	38	292	92	127	28.6	M16	4	28	98.8	250	380	22.36
16*	610	120.0	55	426	152	178	41.0	M20	4	28	165.0	374	530	44.00
18*	610	90.0	78	654	294	211	57.0	M16	8	24	254.0	441	679	73.00
20*	610	108.0	100	975	355	266	73.0	M20	8	30	298.0	481	679	113.00

English Units

Actuator Model (ANSI)	A inch	B inch	D inch	E inch	F inch	K inch	⊘L inch	M UNC	N No.	N inch	PCD inch	S inch	T inch	Wt lbs
05	11.81	2.67	0.51	6.69	4.06	5.0	0.375	10-24	6	0.47	1.375	8.66	5.39	20.2
07	11.81	2.67	0.79	7.56	3.62	5.0	0.630	5/16	4	0.63	2.000	8.66	7.01	24.7
08	11.81	2.67	0.75	7.95	3.62	5.0	0.670	5/16	4	0.63	2.760	8.66	8.19	23.4
09	11.81	2.67	1.02	8.58	3.62	5.0	0.748	3/8	4	0.79	2.560	8.66	8.94	26.6
10	11.81	2.67	-	10.51	3.62	5.0	0.866	3/8	4	0.79	4.016	8.66	9.06	29.5
12	11.81	2.67	1.22	9.76	3.62	5.0	0.984	1/2	4	0.98	3.060	8.66	11.57	33.9
14	15.70	2.67	1.50	11.50	3.62	5.0	1.125	5/8	4	1.10	3.890	9.84	14.96	49.2

Handwheel Orientation

MODEL	RH HANDWHEEL		LH HANDWHEEL	
	HANDWHEEL DIRECTION	OUTPUT DIRECTION	HANDWHEEL DIRECTION	OUTPUT DIRECTION
05 to 16	CW	CCW	CW	CW
	CCW	CW	CCW	CCW
18 to 20	CW	CW	N/A	
	CCW	CCW		

Ordering Codes

Models 05 to 14:

- (Standard right hand handwheel)

Example: 074 K/Box (ISO Version)

077 K/Box (ANSI Version)

- (Left hand handwheel)

Example: 074 K/Box LH (ISO Version)

* For model 16, 18 and 20 replace 'K' with 'G'

Example: 164 G/Box (ISO Version)

