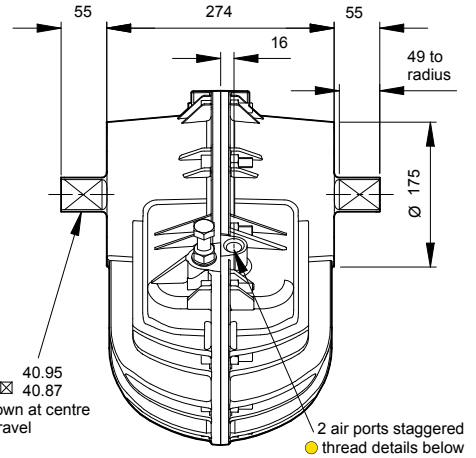
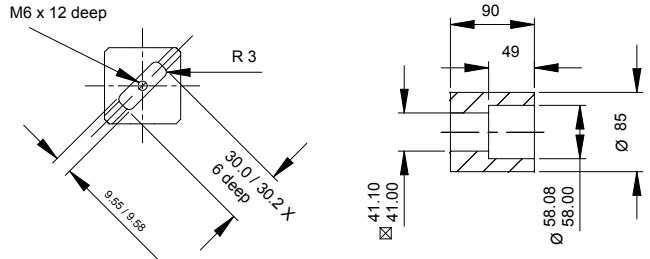


# Model 16



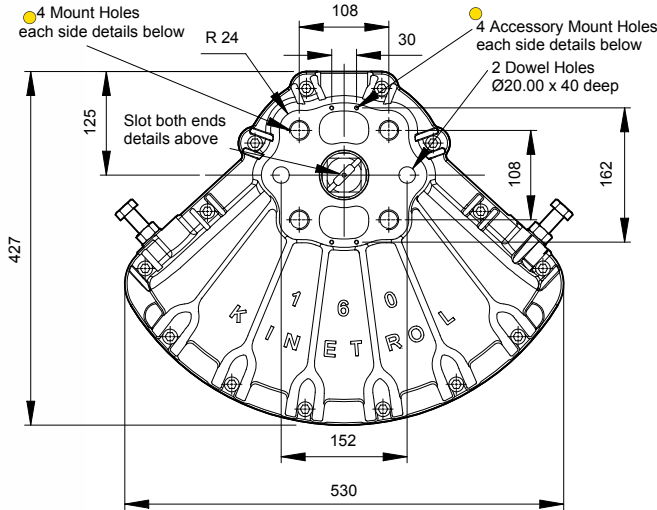
Standard Coupling  
(supplied with actuator  
weight 5.3 lbs/2.4 kg)

Vane Slot detail both ends



### Air Port/Mount Hole Details

Model	Air Ports	Mount Holes & Accessory Mount Holes
164-100	G <sup>1</sup> / <sub>2</sub>	4 x M24 x 38 deep on 152.7 PCD 4 x M5 x 8 deep
167-100	1/2 NPT	4 x 7/8 - 9 UNC x 1.50" deep on 6.012" PCD 4 x 10-24 UNC x 0.31" deep



## Specification

### Output Torque

27000 lbf ins/3100 Nm  
at 100 psi/7 bar

### Angle of Travel (adjustable)

80° - 100°  
(restricted travel  
versions available)

### Displaced Volume

465 in<sup>3</sup>/7630 cm<sup>3</sup>

### Finish

Epoxy stove enamel

### Weight

82.5 lb/37.4 kg  
(excluding coupling)

For further information  
see General Specification  
on page 50.

- Fail safe spring return units - clockwise or counter clockwise see pages 5-7
- Limit switch boxes for open/close indication - various switches for hazardous areas see pages 9-12
- AP pneumatic positioner - full range of options see pages 17/18
- EL electropneumatic positioner - full range of options see pages 15/16
- 180° model see page 25/26

## Options

- Female drive and mounting details to DIN 3337 and ISO 5211 see page 50
- Spring to centre see page 24
- Geared manual override see page 46
- Code identification see page 62
- Torque outputs see pages 58-60
- See pages 49-52 for English dimensions and dimensions of spring options
- High Temperature / Low temperature options see page 50

