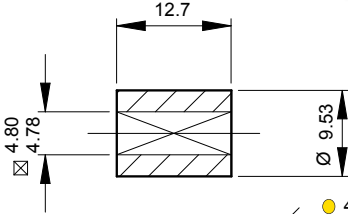
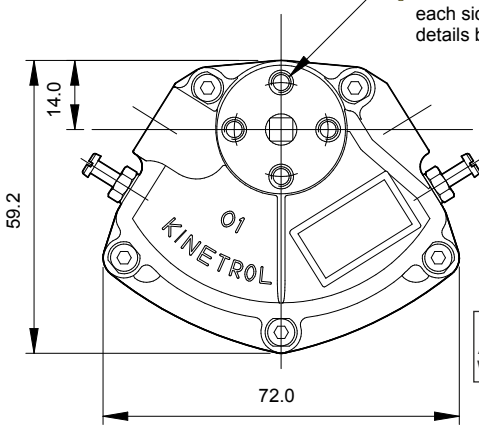


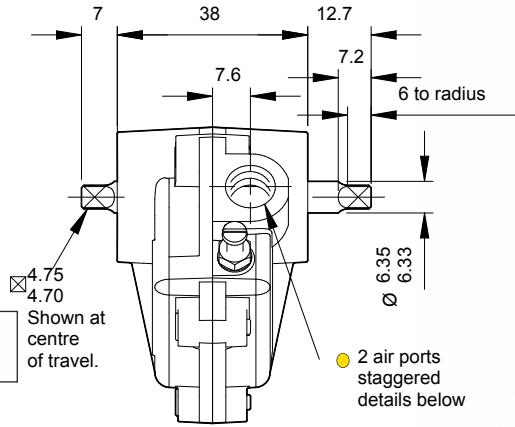
Standard Coupling
(supplied with both actuator types
weight 0.2 oz/0.005 kg)



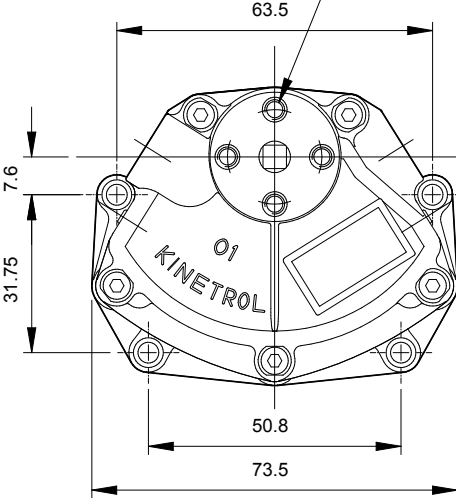
● 4 Mount Holes
each side
details below



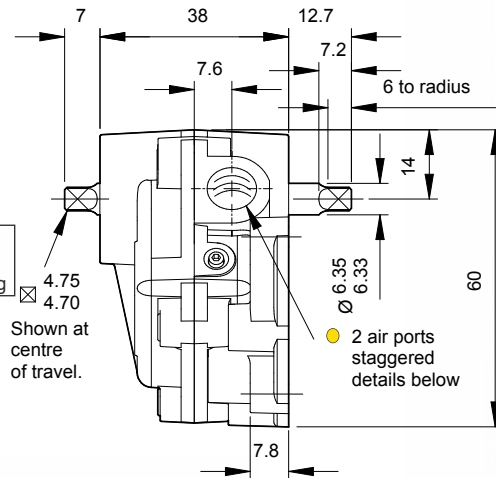
ACTUATOR 014-100
Angle of travel: 78° - 100°
Weight 0.62 lb/0.28 kg



● 4 Aux. Mount Holes
each side
details below



ACTUATOR 014P100
Angle of travel: 90°
Weight 0.77 lb/0.34 kg



● Air Port/Mount Hole Details

Model	Air Ports	Mount Holes
014-100	G ¹ / ₈	4 x M4 x 6 deep on 19.0 PCD
017-100	1/8 NPT	4 x 8-32 UNC x 0.25" deep on 0.75" PCD
014P100	G ¹ / ₈	4 x Ø4.1 (M4 clearance)

Specification

Output Torque

58 lbf ins/6.7 Nm
at 100 psi/7 bar

Angle of Travel

See Drawings
(restricted travel
versions available)

Displaced Volume

1.00 in³/16.5 cm³

Finish

Epoxy stove enamel

Weight

See Drawings

For further information
see General Specification
on page 50.

Options

- Conversion kit between two types. SP870
- Fail safe spring return units - clockwise or counter clockwise see pages 5/6
- Code identification see page 62
- Torque outputs see pages 58-60
- See page 49 for English dimensions and TD121 page 4 for dimensions of spring options

