



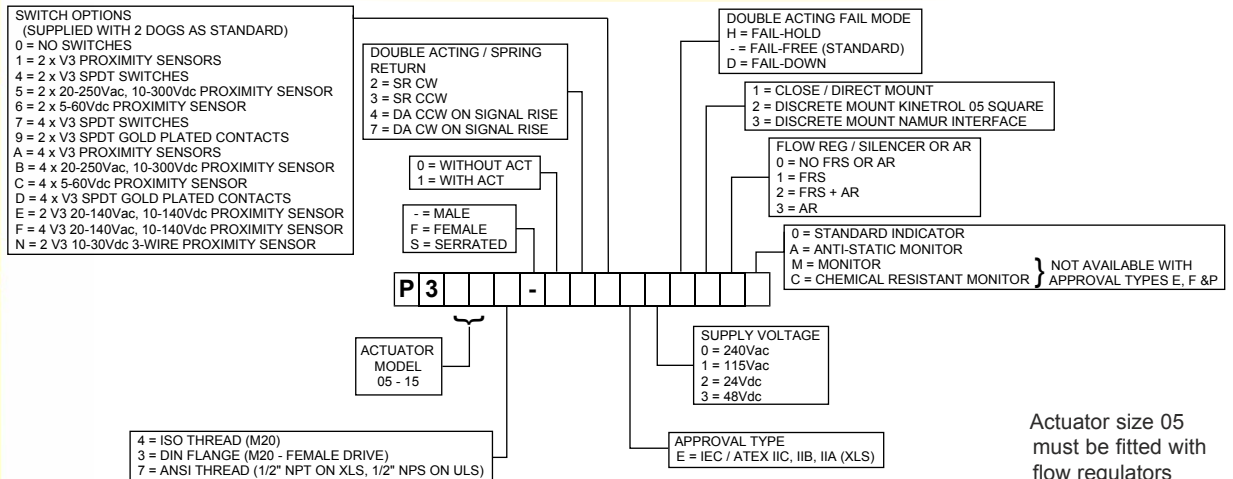
The explosion proof P3 on/off positioner offers a robust three position rotary control device with a fast, smooth, accurate response in a compact corrosion resistant, aluminium housing.

The unit is available ATEX approved to Category 2 and offers four voltages, many switch options and angle position feedback. Available for close mounting on Kinetrol actuator models 05 to 15 or discrete mounting via a Kinetrol 05 square or NAMUR drive.

### Specification

<b>European / Global Protection</b> ATEX / IECEx Approval	Exd Group IIC Category 2 Gas & Dust T5, IP66	<b>Coupling</b>	zinc plated steel or stainless steel option.
<b>Voltages</b>	240 V Ac, 115 V Ac 48 V Dc, 24 V Dc	<b>Positioner Performance</b>	linearity - better than 1% of range deadband - 0.1 to 3% of range (subject to optimisation of speed, deadband and damping).
<b>Working Temperature Range</b>	-20°C to +60°C	<b>Optional 2-wire Angle Transducer</b>	supply voltage - 8.5 to 27V Dc output - 4-20mA, linearly proportionate to angular position, electrically isolated from all other inputs and outputs functions with or without positioner circuit energisation
<b>Power Consumption</b>	positioner 1.5 W max. solenoids 5 VA max. per solenoid.	<b>Dimensions</b>	see page 56
<b>Selected External Inputs</b>	4-20mA - impedance 250 ohm. potentiometer - minimum resistance 10K ohm.		
<b>Casing</b>	precision diecast LM24 alloy, anodised & epoxy stove enamel.		

### Ordering Codes



Actuator size 05 must be fitted with flow regulators

