

Model LX & LH 220° Vane Dashpots



Specification

LX
Rate
Adjustable
Max 18000 Nm/rad/s
(159300 lbf.ins/rad/s)

Angle of travel
220° ± 1°
External end stops
must be provided

Max. safe torque
5660 lbf.ins / 640 Nm

Ambient temperature range
0°C to 60°C

Shaft material
Stainless steel 431S29

Body material
Aluminium alloy LM25

Weight
99 lbs / 45 kg

LH
Rate
Adjustable
Max 18000 Nm/rad/s
(159300 lbf.ins/rad/s)

Angle of travel
220° ± 1°
External end stops
must be provided

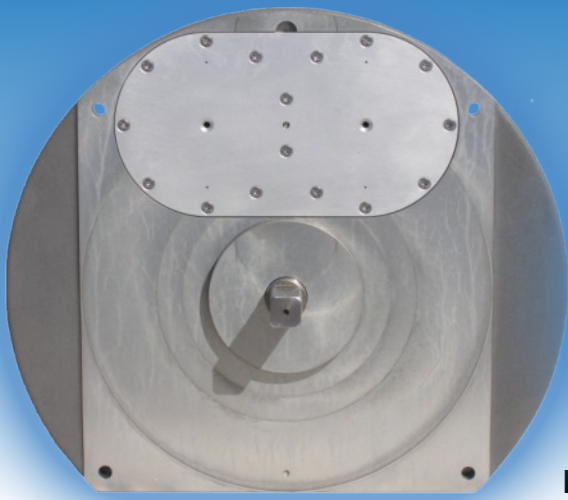
Max. safe torque
8500 lbf.ins / 960 Nm

Ambient temperature range
0°C to 60°C

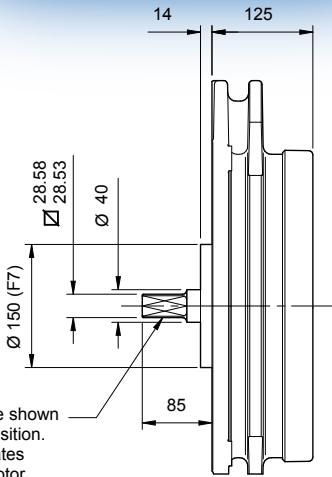
Shaft material
Stainless steel 431S29

Body material
Aluminium alloy LM25

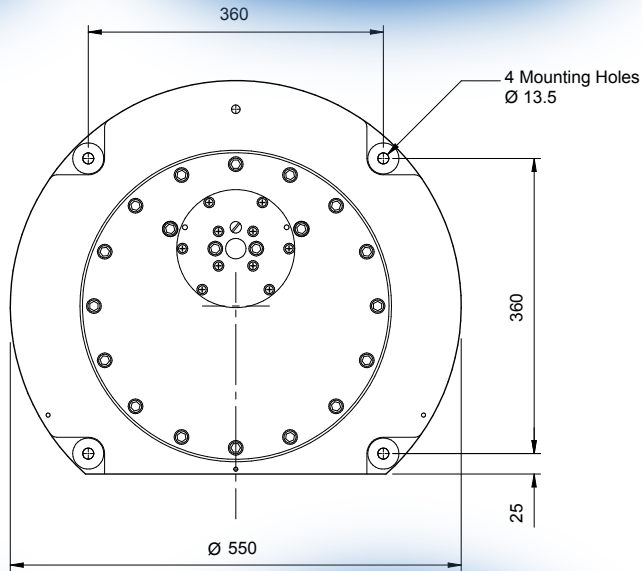
Weight
108 lbs / 49 kg



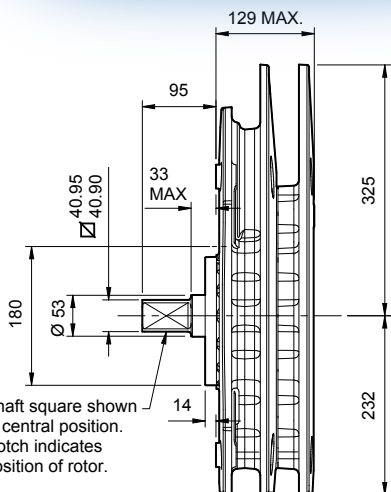
LX



Shaft square shown
in central position.
Notch indicates
position of rotor.



LH



Shaft square shown
in central position.
Notch indicates
position of rotor.

