

KINETROL

□ T Y P E UNIVERSAL LIMIT SWITCH BOX

SUITABLE FOR DIRECT MOUNT TO KINETROL

ACTUATORS SIZE RANGE: 03 TO 15

& DISCRETE MOUNT OPTION

SWITCH TYPE: 007

INSTALLATION INSTRUCTIONS

1. Remove temporary threaded plugs.
2. Customer to supply and fit cable glands to maintain IP54 Environmental Protection. Second conduit entry can be plugged using a suitable IP66 plug or ordered from Kinetrol with plug already fitted.
3. Connect cable terminals as required (wiring diagram shown below). Ensure cable routing is towards the outside of the box and that there is no chance of wires touching the moving parts.
4. Materials of construction:
 - Main body & lid - Zinc alloy or Alum. alloy diecast epoxy painted.
 - Gasket - Cork.
 - Terminal strip - Gemin (KRG).
 - Switch cables - PVC coated copper
 - Rubber seals - NBR. (Other mat'ls available on request)
 - Shaft - Zinc plated mild steel.
 - Switch body & plunger - Glass filled nylon 6.6.
 - Switch contacts - Fine silver
5. Operating conditions:
 - Minimum operating time: 20ms.
 - Maximum angle of travel: 110°
 - Vibrating conditions: 4G @ 100Hz
 - Ambient temperature range: -40°C to +80°C.
 - Ensure operating loads given opposite are not exceeded.
6. If direct mount units supplied separately this box must be kept sealed in its polythene bag during storage. The box must be assembled correctly to the appropriate Kinetrol actuator. The fixing screws and gasket are provided. Only use replacement parts supplied by Kinetrol. Assemble as shown below.
7. Discrete mount units: Discrete mount units are designed to be bracket mounted to the actuator and are fitted with either a male Kinetrol square or a namur VDI/VDE interface shaft. Ensure mounting arrangement does not apply side or end load to the switch box shaft.
8. Open/Closed label supplied loose - to be fitted by user in desired position.

Resistive load ratings for standard microswitches:

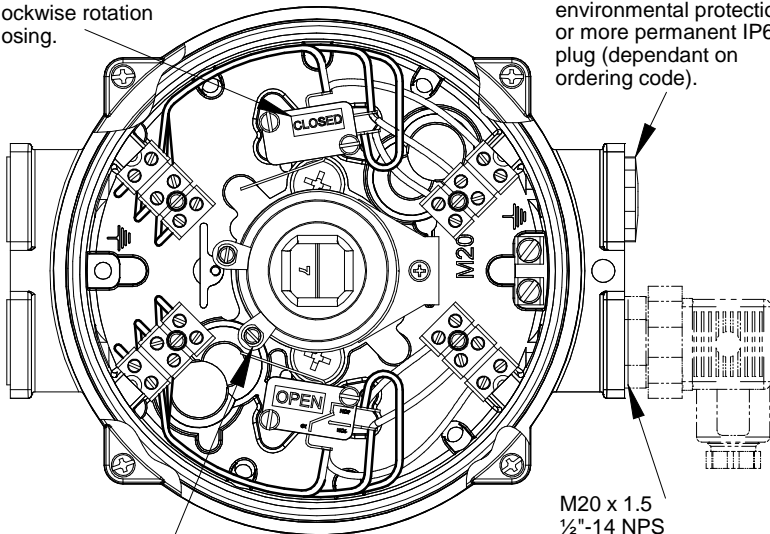
VOLTAGE	RESISTIVE LOAD
125 V ac	15 A
250 V ac	15 A
Up to 12 V dc	15 A
Up to 24 V dc	10 A
Up to 48 V dc	3 A
Up to 250 V dc	0.25 A

Multiplication factors for non-resistive loads:

Steady state tungsten lamp load: X 0.1
 Steady state inductive load: X 0.2
 Peak inductive load: X 1.0

Label position for illustration, shown clockwise rotation closing.

Temporary threaded plug fitted to maintain IP54 environmental protection or more permanent IP67 plug (dependant on ordering code).

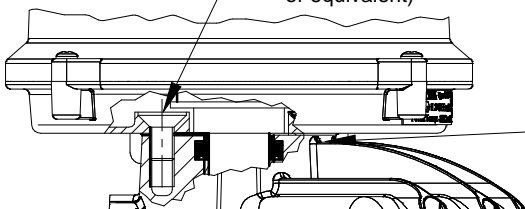


M20 x 1.5
 1/2"-14 NPS
 Conduit thread dependant on market & ordering code.

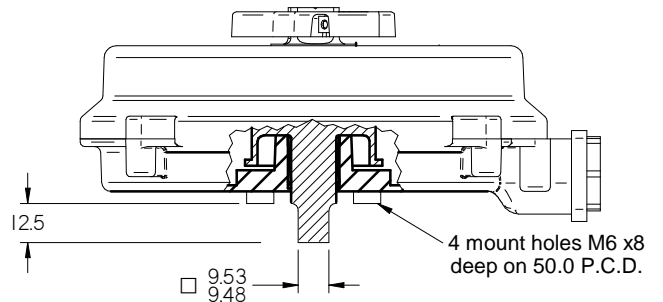
Switch Dogs can be adjusted to suit actuator stroke; Slacken M3 screw. IF EXTRA 4TH TERMINAL IS FITTED (E.G. FOR CONNECTING TO SOLENOID VALVE) ENSURE THAT THE DOGS ARE ADJUSTED SUCH THAT THERE CAN BE NO CONTACT BETWEEN THE DOG AND THE TERMINAL.

Fixing screws (chemically lock with LOCTITE Grade 222 or equivalent)

Gasket



Kinetrol Direct Mount Option



DISCRETE MOUNT BOX OPTION SHOWN WITH KINETROL SQ. IT CAN ALSO BE FITTED WITH DISCRETE SHAFT TO VDI/VDE 3845.

ENSURE EXTERNAL WIRING INSULATION LIES WITHIN THROAT OF TERMINAL

